

ARCHITECTS' & ENGINEERS' SPECIFICATIONS

General: Area of rescue system shall be a TekTone® NC-150R or approved equal. It shall have pushbutton controlled circuits and indicator lights for "TALK" and "CALL" functions. The NC-150R master shall include controls, amplifier, selector modules, test button, panel and frame. The master panel shall provide visual and audible indication when calls are placed. The system shall allow for connection of eight (8) IR-150B call stations, and provide a two-way audio communication path to each call station (when properly selected). IR-150B remote stations shall have "CALL" PLACED and "RESET" LED functions.

Power/Control Unit: The power and control unit shall be a TekTone® PK-151A or approved equal. The PK-151A shall provide power, as well as control circuits to operate audible and visual signals.

Staff Station Remote: Remotes shall be TekTone® IR-150B staff stations or approved equal. Staff station shall provide call placement indicator, call push button, combination reset button and in-use indicator, and a 2.5" x 2.5" speaker/microphone with voice response. Staff station electronics shall be mounted on a durable flame retardant ABS plastic panel. Connections shall be plug-in connectors.

Spare Parts: Contractor shall furnish a minimum of 10% extra LI-014 replacement bulbs for the annunciator. A Lee Dan model N-553A shall be provided with each annunciator for bulb maintenance. A Lee Dan model SC-1 Scrolux driver shall be provided with each annunciator for panel maintenance. One spare IR-150B remote shall be provided for every eight (8) or less units placed in service.

SPECIFICATIONS

NC-150R: Master Intercom/Annunciator Station. PCB mounted components installed within a rugged extruded aluminum panel. 13 1/4"H, 6 1/4"W, 4 1/4"D.

OH-150: Flush Housing for NC-150R. Galvanized Steel. 11 5/8"H, 4 7/16"W, 3 7/8"D.

IR-150B: Area Of Rescue Station. Rugged ABS plastic panel with integral speaker grill. 4 1/2"H, 6 3/8"W, 1 7/8"D

IR-150B Mounting: Mounts horizontally on Steel City #H3BD with Steel City #3GC plaster ring, or TekTone's #IH-353 box with IH-352 ring.

PK-151A: Power/Control Unit. Electronic components mounted on a printed circuit board and housed in a rugged aluminum case. One required per system. 9 1/2"H, 2 3/8"W, 2 1/4"D.

PS-30A: 24VAC UL Listed Pigtail Transformer. One required per system.

RP-021CM: Custom or Blank Lens Markings. One required per zone (8 for standard NC-150R).

Connections: Positive screw terminals.



NC-150R
8 unit Area of Rescue
Master Annunciator
Panel. Other size
masters are available on
a special order basis.

IR-150B
Area Of Rescue Station

APPLICATION

NC-150R is an "Area Of Rescue" system designed to provide voice and signal communication between the master intercom/annunciator and IR-150B area of refuge call stations.

Calls are indicated at the master by visual and audible signals. The master also has sensitive two-way communications and call tone functions. A maximum of eight (8) call stations may be connected to the standard eight (8) zone NC-150R Master Station. Larger masters are available on a custom order basis.

PK-151A provides power and control circuits to operate audible and visual signalling.

IR-150B Staff Station is used to provide communication to the NC-150R master intercom/annunciator. IR-150B stations are to be located at designated areas of rescue.

FEATURES

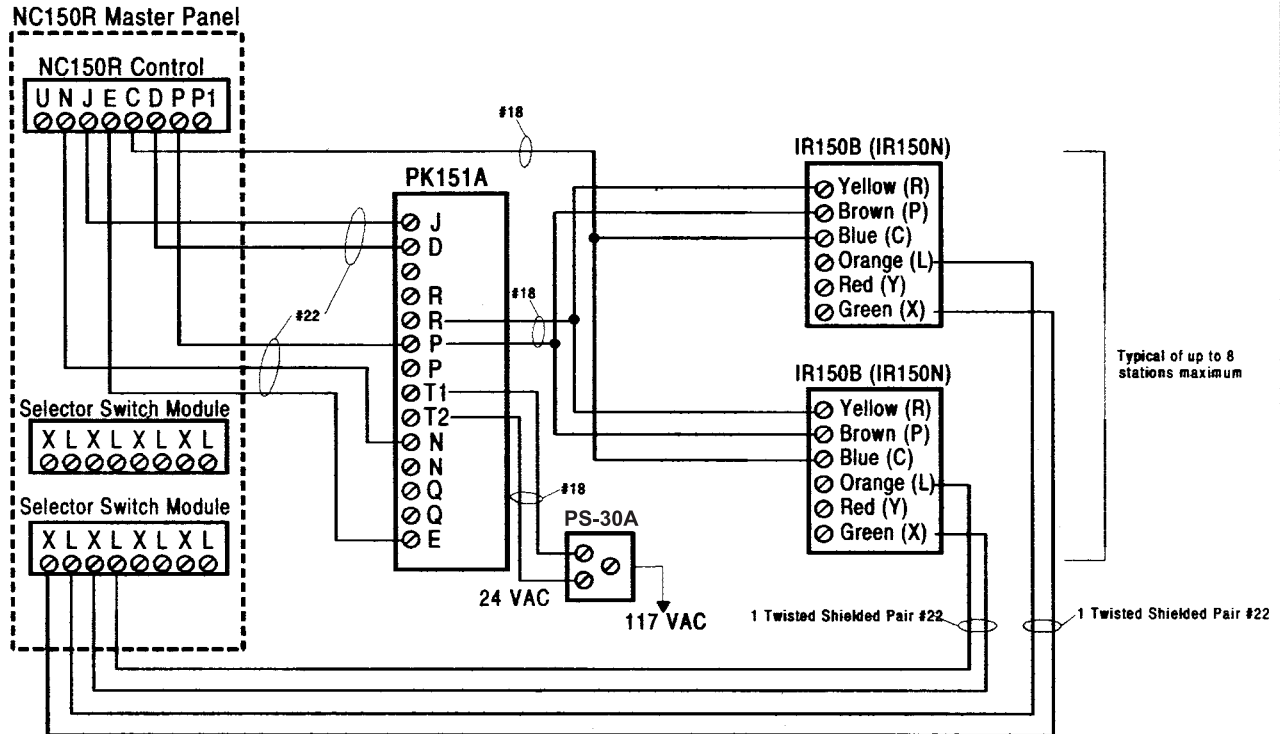
- Audible & visual annunciation.
- Push Button Operation.
- Solid-state circuitry.
- Voice communication & monitoring.
- Sensitive speaker/microphone for clear audio.
- Provides steady light and slow tone for call-in.
- Meets ADA requirements.

(may require specific indicator signs—check local codes).

800-231-1414 • 631-231-1414
155 Adams Avenue • Hauppauge, NY 11788-3699
Fax 631-231-1498 • www.LEEDAN.com

ANNUNCIATORS • WIRE & CABLE • NURSE-CALL
INTERCOMS • MAILBOXES • DIRECTORIES • SIGNS
With continuous product improvement, specifications are subject to change without notice.

Tef-SAFE™ Area of Rescue System



Copyright © TekTone Sound & Signal Mfg., Inc. All Rights Reserved.

- Notes:**
1. Terminal identifications shown are not in actual order.
 2. Main supply circuit: Connect to 117 VAC, 60Hz, 40 Watts maximum. Use #18 gauge wire.
 3. Use shielded cable if not in a metal conduit. If shielded cable is used, shield drain wire replaces conductor connected to terminal "C" on CONTROL module on NC150R.
 4. Connect shields from twisted shielded pairs to "C" terminal on master.

800-231-1414 • 631-231-1414
 155 Adams Avenue • Hauppauge, NY 11788-3699
 Fax 631-231-1498 • www.LEEDAN.com

ANNUNCIATORS • WIRE & CABLE • NURSE-CALL
 INTERCOMS • MAILBOXES • DIRECTORIES • SIGNS

With continuous product improvement, specifications are subject to change without notice.