

STROBE SIGNAL

APPLICATION

The LI404B (LI-404B) Strobe is a high-intensity remote visual signaling device for use with **LEEDAN®** or TekTone® PK-543A, PK543, PK205 and PK104B Amplifier Apartment Systems, and with **LEEDAN®** or TekTone® PK502B Transfer Relays. The unit is primarily for use in locations where hearing-impaired persons require supplemental visual call notification, but can be used anywhere a visual indication of an incoming call is desired. The bright strobe light flashes for approximately 15–20 seconds when an incoming call is detected.

The device can be installed in most standard single or double gang electrical boxes or similar indoor openings. It is not a weatherproof device and therefore should not be used for any outdoor applications. Installation is facilitated by the use of simple connections to the pre-mounted circuitry and a complement of mounting hardware.

The LI404B Strobe Light portion meets ADA and UL® 1971 requirements.

FEATURES

- Works with most **LEEDAN®** or TekTone® apartment intercoms
- Meets ADA and UL® 1971 requirements.
- Simple installation

SPECIFICATIONS

Dimensions: Height: 5.5" (140 mm)
Width: 4.5" (114 mm)
Depth : 3.5" (89 mm)
Projects: 2.5" (63.5 mm) from mounting surface

Strobe: 15 candela per UL® 1971

Power: 24 VDC, 57 mA DC nominal

Construction: Attractive, flame-retardant (UL® 94V-0) plastic housing

Wiring: 18 gauge minimum, 750' maximum

Installation: Standard single or dual gang box

REQUIRED COMPONENTS

PK Amplifier System: Includes PK543A, PK-543, PK205, and related system components (PK502B Transfer Relays, IR Remote Stations & TA Suite Handsets, Various Entry Panels)



LI-404B

ARCHITECTS' AND ENGINEERS' SPECIFICATIONS

Strobe light shall be TekTone® LI404B (LI-404B) or approved equal as supplied by **LEE DAN®**.

Operation shall be accomplished by placing a call to a remote station. The strobe light shall flash for approximately 15–20 seconds upon detection of the incoming call signal.

The strobe light shall have a brightness of 15 candela per UL® 1971 (75 candela per UL® 1638). It shall be encased in an attractive, flame retardant (UL® 94V-0) plastic housing.

The strobe light shall meet ADA and UL® requirements for signaling appliances.

LI-404B Wiring Diagram for Retrofit System with Single Strobe

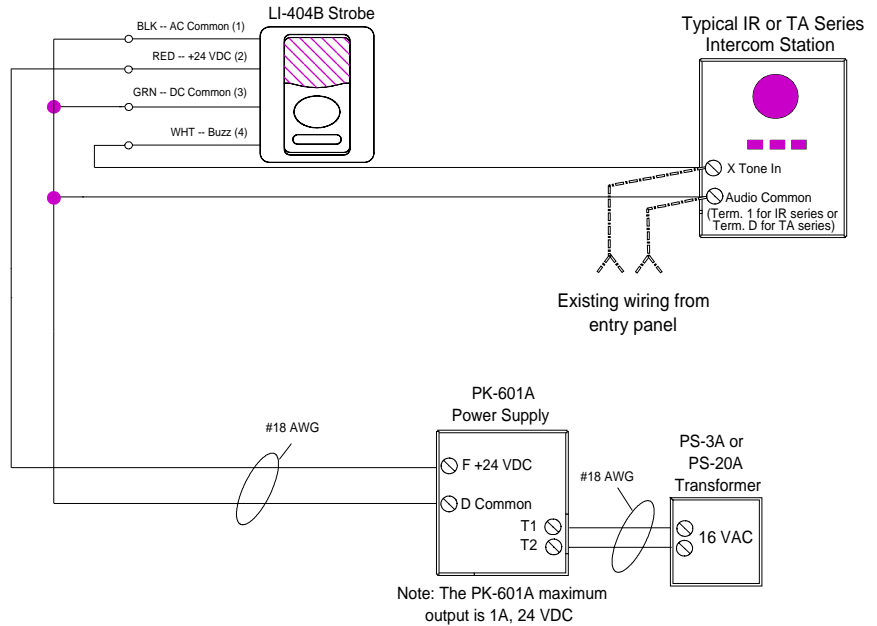
(Refer to IN-487 or IL418 for system wiring details)

Note: This configuration should only be used when the PK601A Power Supply is located in close proximity to the LI-404B Strobe.

In a typical LI404B Strobe add-on installation, the LI404B Strobe receives power from the local PK601A Power Supply terminals F (+24 VDC) and D (Return).

The LI404B Strobe trigger (buzz) is typically sourced by the same tone line that feeds the remote station (X terminal). This tone signal is approximately +24 V pulsed to ground at a 1 KHz rate.

Pressing the respective call button at the entrance panel results in a tone to the apartment and trigger to the strobe.



LI-404B Wiring Diagram for PK-543A Systems

(Refer to IN-826 for system wiring details)

In a typical PK543A installation, the LI404B Strobe receives power from the PK543A Amplifier's terminals P (+24 VDC) and K (Return), or from a local 24 VDC power supply when strobes are

being installed as an add-on to the intercom system. (Use terminals V and K with a PK543.) The PK543A Amplifier can power up to two strobes per apartment. When more than two strobes

per apartment are used, a PK601A Power Supply must be used in conjunction with the PK543A Amplifier to supply power to the strobes.

The LI404B Strobe trigger (buzz) is typically sourced by the same tone line that feeds the remote station (X terminal). This tone signal is approximately +24 V pulsed to ground at a 1 KHz rate. For the strobe, the return for this tone line is the PK543A terminal K.

Note: The strobe return differs from the station return, which is the "1" terminal on the station and the "1" terminal on the PK543A. The importance of the alternate strobe return is to prevent audio distortion during strobe activity.

Standard PK543A,
or use alternative PK601A Power Supply
if PK543A is not accessible

