

## 'IH' Inside Housings 'OH' Outside Housings

### APPLICATION

Proper mounting hardware can speed installation and help secure inside ('IR') and outside ('OR') remote stations.

### SPECIFICATIONS

**Size:**

IH-101, IH-101B	..5 1/2"H, 4"W, 1 3/4"D.
IH-102	.....6"H, 4 3/4"W, 1/2"D.
IH-400A	.....6 7/8"H, 5"W, 1 3/4"D.
IH-700	.....6 7/8"H, 5"W, 1 3/4"D.
IH-700G	.....6 7/8"H, 5"W, 1 3/4"D.
OH-700	.....6 7/8"H, 5"W, 1 3/4"D.

**Finish:**

IH-101, IH-101B	..Galvanized Steel.
IH-102	.....Galvanized Steel.
IH-400A	.....White High Impact ABS Plastic.
IH-700	.....White Baked Enamel on Steel.
IH-700G	.....Grey Baked Enamel on Steel.
OH-700	.....Black Baked Enamel on Steel.

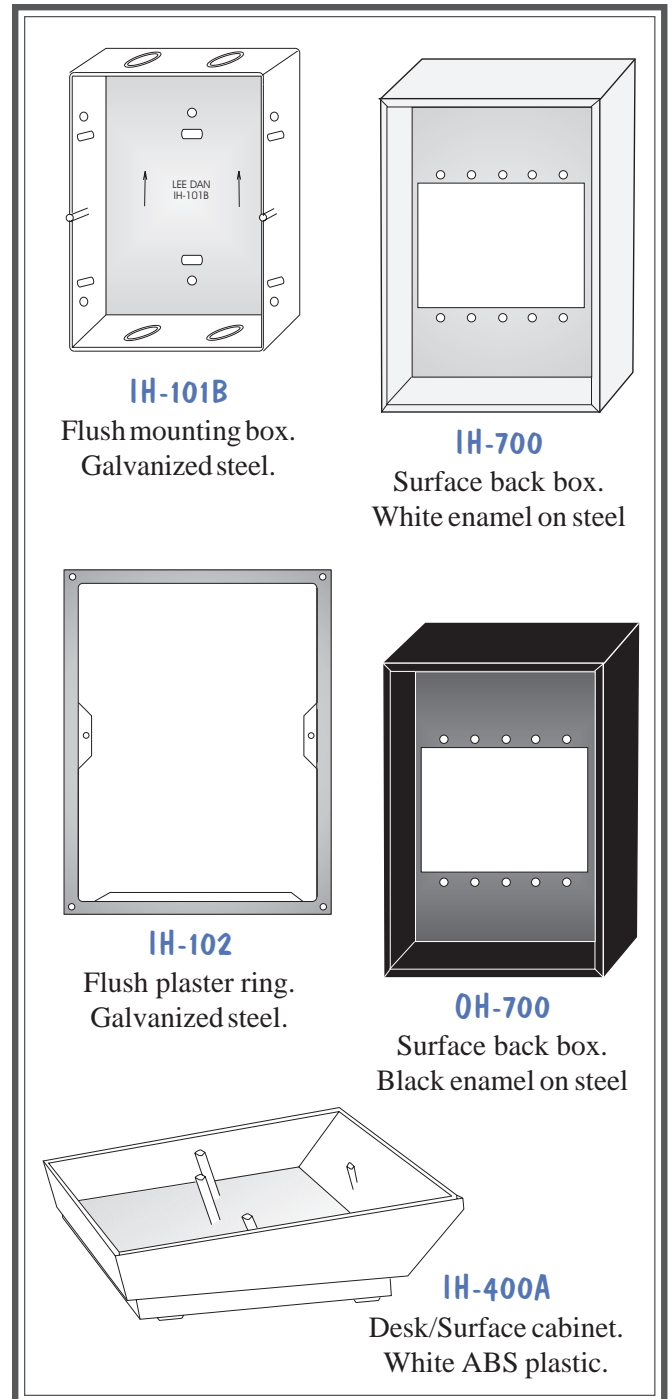
### Mounting Method

IH-101	Flush back box for concrete and open stud walls.
IH-101B	Flush back box for concrete and open stud walls.
IH-102	Flush plaster ring for drywall construction.
IH-400A	Desk/Surface cabinet for most plastic 'IR' stations
IH-700	Surface back box for most plastic 'IR' stations.
IH-700G	Surface back box for some metal 'IR' stations.
OH-700	Surface back box for metal 'OR' stations.

### ARCHITECTS' & ENGINEERS' SPECIFICATIONS:

Specified **LEEDAN**® remote stations shall mount on **LEEDAN** model XX-XXX (designate model number in place of X's) housing hardware.

Flush housings shall be fabricated of galvanized steel. Surface housings shall be fabricated of steel with a baked enamel finish. IH-400A Desk/Surface cabinets shall be fabricated of white high impact ABS plastic and include rubber pads for nonslip desktop use.



**IH-101B**  
Flush mounting box.  
Galvanized steel.

**IH-700**  
Surface back box.  
White enamel on steel

**IH-102**  
Flush plaster ring.  
Galvanized steel.

**OH-700**  
Surface back box.  
Black enamel on steel

**IH-400A**  
Desk/Surface cabinet.  
White ABS plastic.