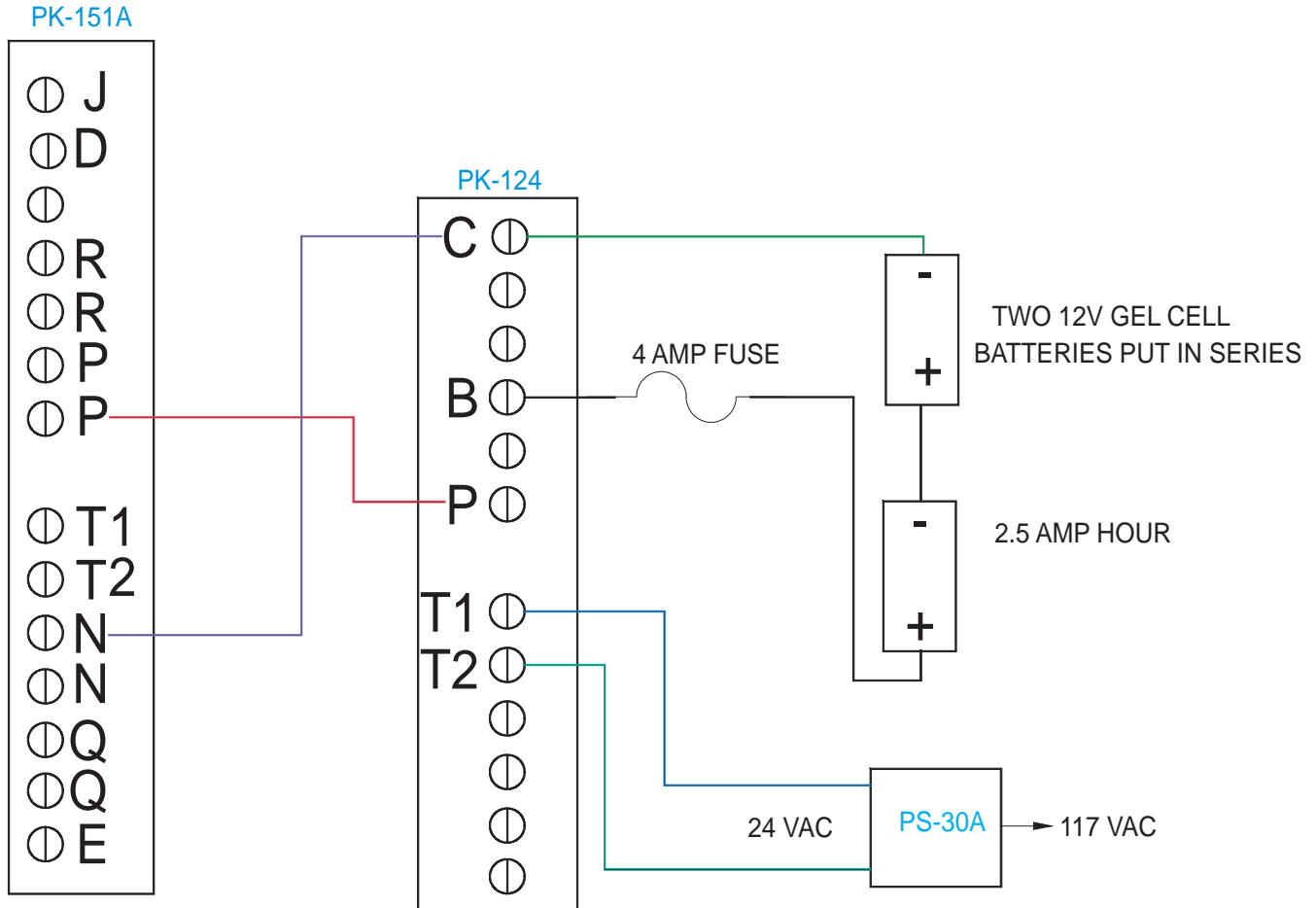


## BATTERY CHARGER, WIRING INSTRUCTIONS

### PK-124 to PK-151A (NC-110N, NC-150N, NC-200N) Interconnect Wiring Diagram

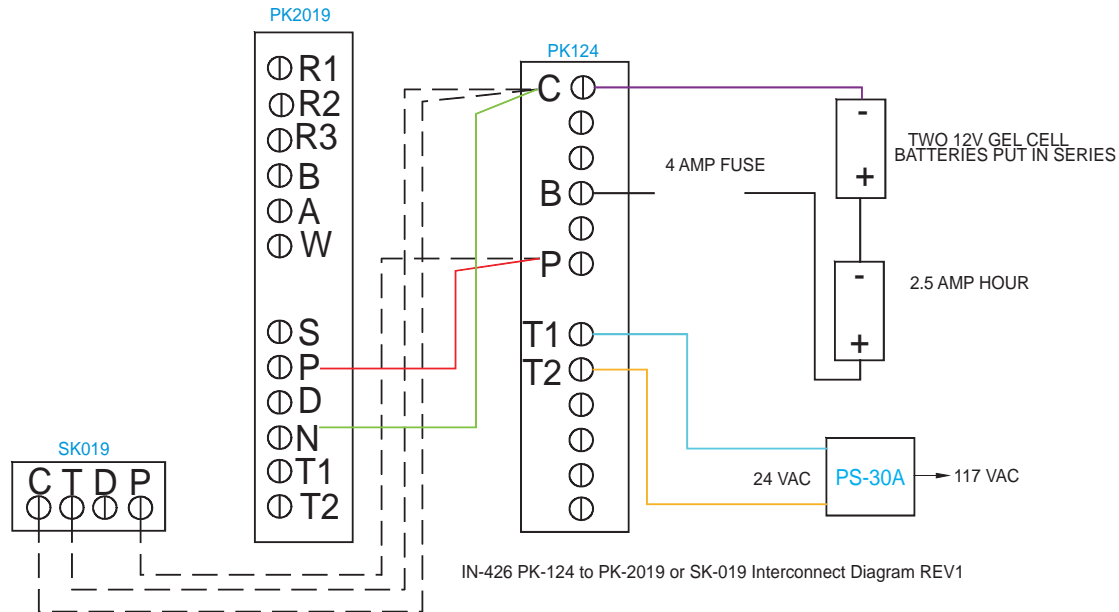


IN-426 PK-124 to PK-151A Interconnect Wiring Diagram Rev0

**Notes:**

1. Do not connect transformer to PK-151A.
2. Use 24 VAC connections on PS-30A (SS106) transformer.
3. All wiring #18 unless shown.
4. See installation manual for additional PK151A connections.

**PK-124 to PK-2019 (CM-800, CM-900) or SK-109 (DS-100) Interconnect Wiring Diagram**

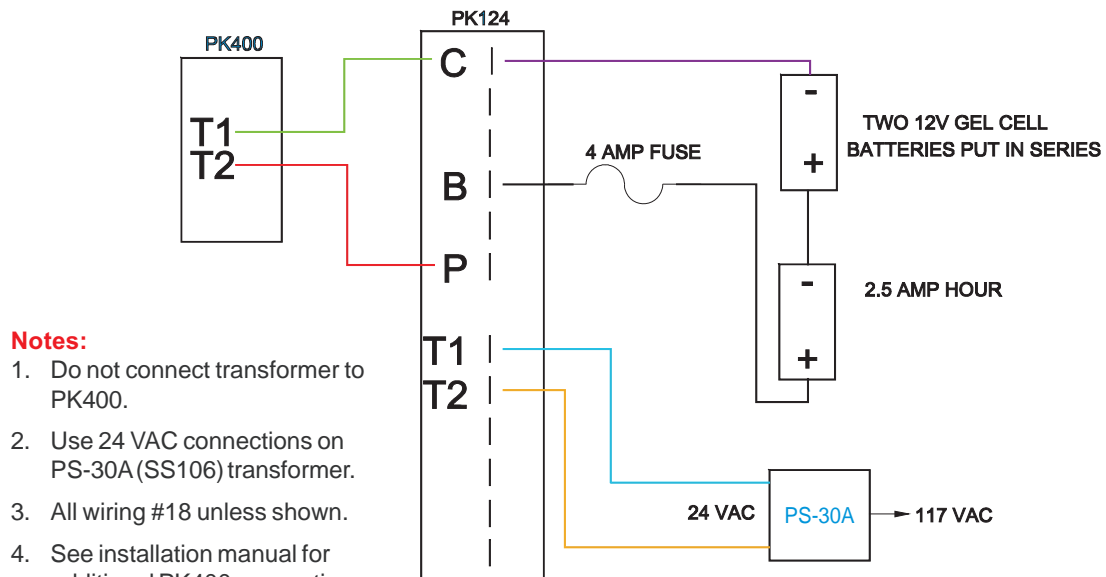


IN-426 PK-124 to PK-2019 or SK-019 Interconnect Diagram REV1

**Notes:**

1. Do not connect transformer to PK-2019 or SK-019.
2. Use 24 VAC connections on PS-30A (SS106) transformer.
3. All wiring #18 unless shown.
4. See installation manual for additional PK2019 or SK019 connections.

**PK-124 to PK-400 Interconnect Wiring Diagram**



**Notes:**

1. Do not connect transformer to PK400.
2. Use 24 VAC connections on PS-30A (SS106) transformer.
3. All wiring #18 unless shown.
4. See installation manual for additional PK400 connections.