

ENTERLOK™ MASTER STATION WIRING INSTRUCTIONS

APPLICATION

The SM-201 ENTERLOK™ intercom is a multi-purpose, two-station intercom suitable for homes, offices, or wherever communication to a single location plus convenient electrical door opening is needed. The solid state design, combined with low voltage operation, permits easy and simple installation.

INSTALLATION PROCEDURE

1. Read installation instructions before proceeding.
2. Install housings and wiring.
3. Connect wiring and install equipment.
4. Apply power and check operation.

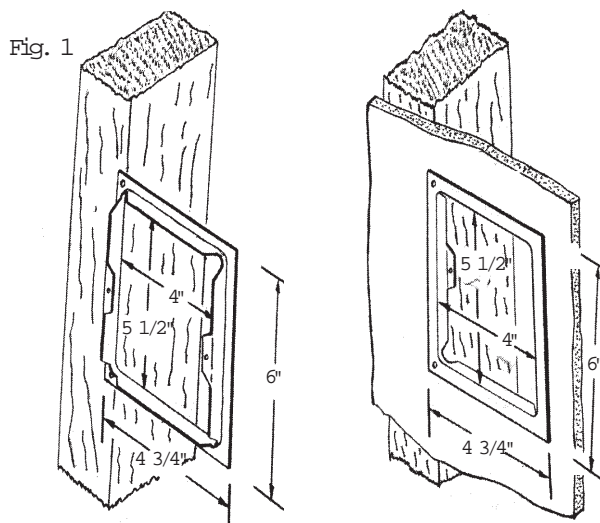
EQUIPMENT LOCATION AND HOUSING INSTALLATION

Inside Remote - Locate remote station where needed at convenient speaking height. Do not install back to back or on a common wall with the master station.

Install IH-102 housing for IR-501B, IR-510B remotes. Reverse housing for use on finished walls as shown in Fig.1 below. Leave about 2" (5cm) of wall space on all sides.

Use IH-400A cabinet for desk mounting.

Outside Remote - For outside stations OR-103, OR-510, or OR-203, install IH-101(flush) or OH-700(surface) box. For OR-600 series outside stations, use single gang ring or box. Run wire/cable to remote speaker location.



Master Station - Locate master station where needed and at a convenient speaking height. Do not locate master near any source of direct heat, or too close to transformers, light dimmers or other electrical devices or wiring. Do not install close to or on a common wall with remote station. Install single gang electrical box or surface mount.

Transformer - IMPORTANT! Connecting this equipment to any power source other than a standard 16VAC. chime transformer, or the LEE DAN transformers specified, voids all guarantees!

Plug-In: A PS-20A plug-in type transformer may be used and must be provided with an electrical outlet at some convenient location within 50 feet of the master station.

Pigtail: A PS-3A type transformer may be used and may be installed on the fuse panel or any other accessible source of 117 volts A.C. within 50 feet of the master station. (Observe all local electrical codes.)

WIRING

Run 2 conductor twisted #22 cable from the master station directly to the remote station. NOTE : It is recommended that shielded cable be used from the master to the remote station when the cable must be run near any AC wires!

Run 2 conductor #18 cable from the SM-201 master to the transformer location.

Run 2 conductor #18 cable from the SM-201 master to the door opener location. Leave sufficient cable at each end to make connections (about 10" or 25cm).

Caution: Do not run door opener or transformer wires together with intercom wires!

Make connections as shown on the Typical Wiring Diagram (Fig.4) or the Alternate Diagram for 24-volt door opener (Fig.3).

NOTE: If the door opener operation from the SM-201 master is not needed, the DOOR button may be used for other signal purposes. Simply run the door cable to the optional signal device (bell, buzzer, etc.) which must be able to operate on 16 volts A.C., 10 V.A. or less.

SM-201 OPERATION & CHECK-OUT INSTRUCTIONS

At Remote Speaker:

Push button to call master, release to allow communication by master.

At Master Speaker:

1. Push TALK button to speak; release to listen.
2. Push DOOR button to open door.
3. Push OFF button to silence speaker, if desired. Station will remain in monitor mode if OFF button is not pushed.
4. Press TALK button to re-activate speaker.
5. Adjust VOLUME with small screwdriver if needed, through hole provided on lower front of panel.

NOTE:

If the volume is too high, distortion or howling may result.

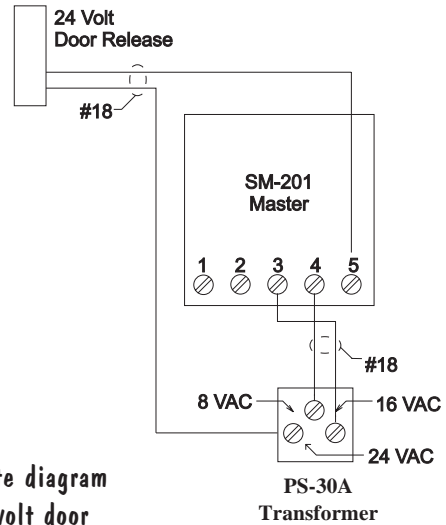
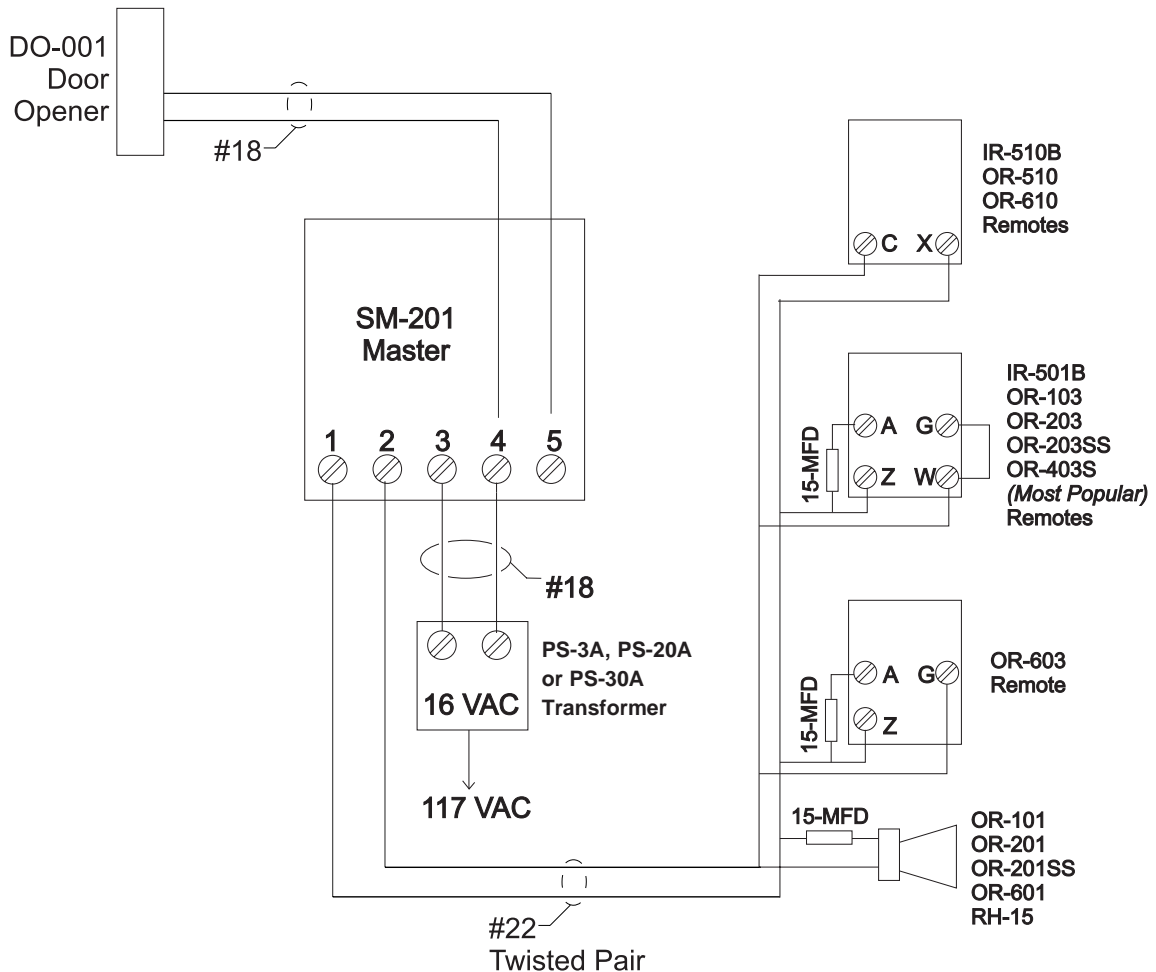


Fig. 3

Alternate diagram
for 24-volt door
release.

Fig. 4



NOTES:

1. Add wire jumper to IR-501B, OR-103, OR-203, OR-203SS, or OR-403S remote stations as shown.
2. Add 15-MFD (15-mfd. non-polarized) capacitor to IR-501B, OR-101, OR-103, OR-201, OR-203, OR-203SS, OR-403S, OR-601, OR-603 or RH-15 remote stations as shown. 15-MFD capacitor is packaged with the SM-201 master station.
3. Locate remote station type on right and wire as shown using 2 conductor #22 twisted pair wiring.
4. Use #18 wire for door release and transformer wiring.
5. You can use any of the remotes shown (above right), but not more than two per system! Call factory for details.