

MULTI-ENTRANCE ADAPTOR FOR MULTI-ENTRANCE APARTMENT INTERCOM SYSTEMS

The *LEE DAN*® PK-502B Multi-Entrance Control Unit provides a means to connect *LEE DAN*® or TekTone® Apartment Intercom Amplifiers to more than one entrance. Voice (Talk/Listen) and Door Release functions are automatically transferred to the calling entrance. The quantity of PK-502Bs needed is equal to one less than the number of entrances. For example, a two-entrance system will have one PK-502B.

The PK-502B (PK502B) Multi-Entrance Transfer Relay is designed for use with the PK-543A** and PK-205** intercom amplifiers only. **And versions: PK543A, PK543AL, PK-543AL, PK-543, PK543, PK205.

- Low voltage operation
- Reliable plug-in connector
- For 2 to 8 entrance buildings
- Easy surface mount installation
- Designed compatibility with PK-543A and PK-205

ARCHITECTS' AND ENGINEERS' SPECIFICATIONS

The multi-entrance adaptor(s) shall be a *LEE DAN*® / TekTone® PK-502B (PK502B) or approved equal, and shall provide the control and power circuits needed to switch the audio (Talk/Listen) and Door Release functions, to the calling apartment intercom entrance panel. Unit shall be used in addition to the standard system intercom amplifier.

One PK-502B shall be provided for each additional entrance panel (after the first panel), and there shall be no more than 7 PK-502B's provided per system.

Adaptor shall be compatible with *LEE DAN*® / TekTone® PK-543A and PK-205, when used in multi-entrance building.

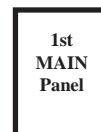
Contractor shall observe all local and national electrical and building codes.



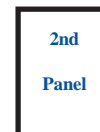
PK-502B MULTI-ENTRANCE ADAPTOR
(included connector not shown)

SPECIFICATIONS

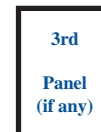
- Dimensions:** 5 1/2"H, 3 1/8"W, 2"D
- Construction:** White ABS Plastic Case
- Connections:** Polarized plug-in connector included
- Power Req.:** 16 VAC, 10VA
- Mounting:** Surface, or mount to the rear of specifically designed apartment entrance speaker panels



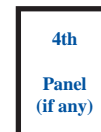
Controlled
By
PK-543A
or PK-205



Controlled
By 1st
PK-502B



Controlled
By 2nd
PK-502B



Controlled
By 3rd
PK-502B

Figure 1—PK-502B Wiring Diagram for the PK-543A, or PK-543 and 2 Entrances

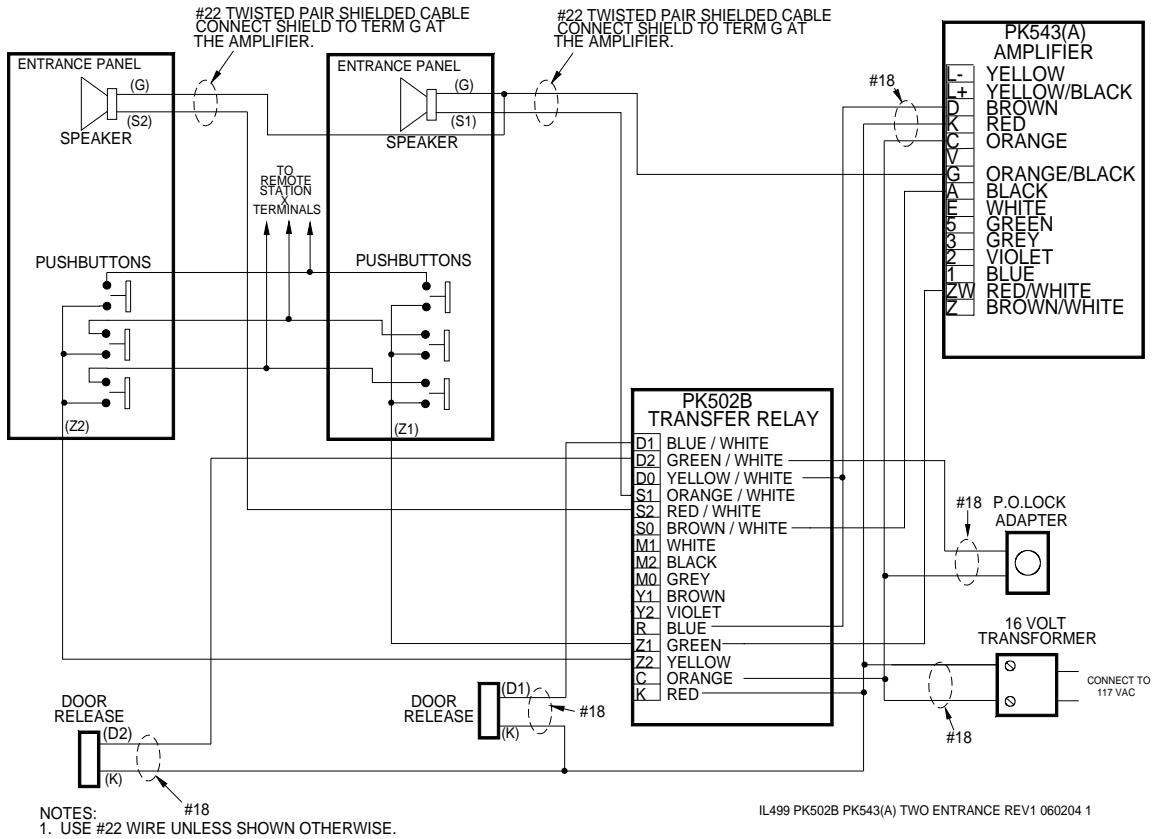


Figure 2—PK-502B Wiring Diagram for 2 Entrances Connected to the PK-205 (Handset Type) Amplifier

