



TRANSFORMERS & POWER SUPPLIES

Heavy Duty Power Transformers



Cat. No. 88-50



Cat. No. 88-250

Edwards 88 Series

Edwards 88 Series Transformers provide low voltage source from 50 to 250 volt amps for all large signaling installations.

Holes provided in transformer housing for surface mounting.

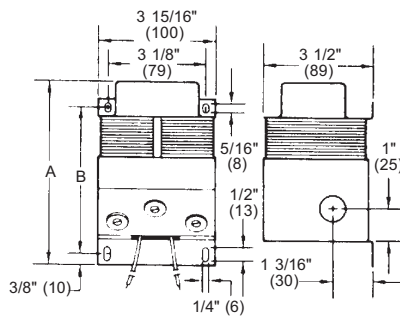
The Edwards 88 Series heavy duty transformers are for heavy duty industrial and commercial applications.

FEATURES

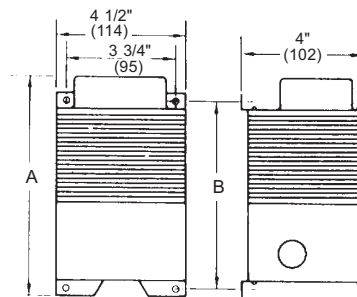
- > Enclosed connections
- > Primary Pigtails
- > Screw terminal connections on secondary

AGENCY APPROVALS

- > UL Listed



88-50, 88-Y50 88-100, 88-Y100



88-250

Cat. No.	Primary Volts 50/60 Hz	Secondary		Dimensions	
		Volts	V A	A	B
88-50	120V AC	24 12	50 25	5 1/2" (140mm)	4 3/8" (111mm)
88-Y50	240VAC	24 12	50 25	5 1/2" (140mm)	4 3/8" (111mm)
88-100	120V AC	24 12	100 50	5 15/16" (151mm)	4 11/16" (119mm)
88-Y100	240V AC	24 12	100 50	5 15/16" (151mm)	4 11/16" (119mm)
88-250	120V Ac	24 20 16 12 8 4	250 200 160 125 80 40	7 3/4" (197mm)	6 5/8" (168mm)



800-231-1414 • 631-231-1414
155 Adams Avenue • Hauppauge, NY 11788-3699
Fax 631-231-1498 • www.LEEDAN.com

INTERCOMS • MAILBOXES • DIRECTORIES
NURSE-CALL • ANNUNCIATORS • WIRE & CABLE
With continuous product improvement, specifications are subject to change without notice.