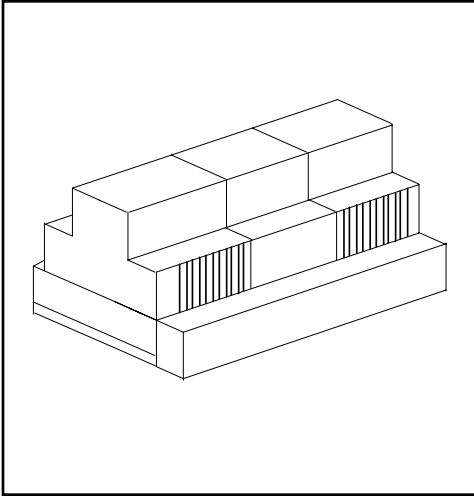


Engineering Data

SOUND SYSTEM AUDIO-VIDEO POWER SUPPLIES



- 6680/C17** VIDEOINTERCOM POWER SUPPLY
- 6681** OPEN VOICE VIDEOINTERCOM POWER SUPPLY
- 6583** MONITOR BOOSTER POWER SUPPLY
- 6568** NOCOAX VIDEOINTERCOM POWER SUPPLY

General Information Specifications

- Fuseless PTC Protection
- Quick Disconnect Terminal Blocks
- Electronic Short Circuit/Overload Protection
- Easy Surface Wall Installation
- Dual Chime tone Output
- Integrated Amplifier for Entry Panel (6680-6681)
- Door Release Timer Circuit

Power Requirements: 120 VAC 60VA (ALL MODELS)

Outputs:

- 6680, 6681,** DC telephonic talk path
- 6568:** Amplified output for Entry Panel
18VDC .8A Monitor Supply
13VDC .3A Camera Supply
15VAC 1A for Door Release
- 6583:** 18VDC 2A Monitor Supply
15VAC 1A for Door release

Overload Protection: PTC Automatically Resetting overload Devices on all Primaries
PTC or Fuses for all Secondary systems

Adjustments:

- P1:** Monitor/Camera Timer
- P2:** Entry Panel Speaker Volume
- P3:** Door Release Timer

Dimensions: 8.25" x 3.75" x 2.75"

Architects and Engineers Specifications

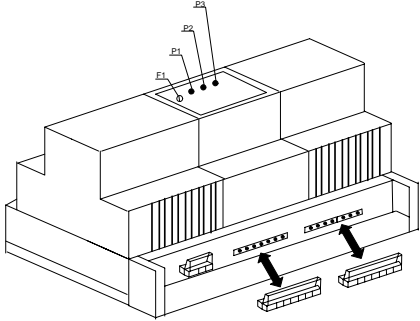
6680-6681-6568 System Power Supplies: The system power supply shall provide crisp clear telephonic communication between the apartment handset and the entry panel speaker/mic. The system power supply shall provide for all the system feature including talk path, call signals, entry panel amplification and door release power. The system supply shall provide power to operate monitors and cameras. A timer circuit shall be provided for the monitor on duration and the door release activation.

6583 Booster Supply: The booster powers supply shall provide additional supply voltage in systems where the long wire runs or voltage drops cause the monitor activation voltage to drop below 15VDC.

SOUND SYSTEM AUDIO-VIDEO POWER SUPPLIES

TERMINALS - CONTROLS

6680-6681



CONTROLS

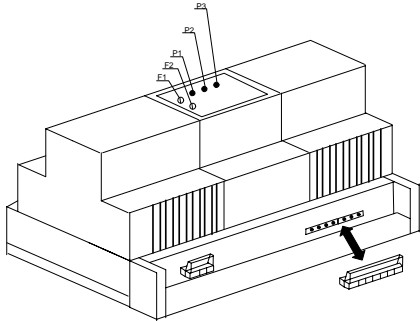
- P1 Monitor Time
 - P2 Panel Volume
 - P3 Lock duration
- ### TERMINALS
- 1 Handset Speaker
 - 2 Handset Mic
 - 3 Handset common
 - Monitor Ground
 - + +18VDC for Monitor
 - S Door Release
 - M Video Ground
 - V1 Video Input

- V2 Video Output
- 6 Spkr/Mic Com
- 7 Panel Mic
- 8 Panel spkr
- +T 13VDC for Camera
- Camera Ground
- AM Monitor Turnon Block
- 0 Common
- 15 15VAC
- S1 Door Release
- C1 Modulated Tone
- C2 Continuous tone

TERMINALS - CONTROLS

6568

6583



CONTROLS

- P1 Monitor Time
- P2 Panel Volume
- P3 Lock duration

TERMINALS

- Ground
- + +18VDC
- P2 Tone 2
- P1 Tone 1
- AU Self Activation
- 2 Panels Common
- 5 Panel Speaker
- 6 Panel Speaker
- 8 Panel mic
- +T Camera Power
- S1 Door Release
- 0-15 15VAC

TERMINALS

- 0 Common
- 15 15VAC
- +I DC Input
- C N/A
- +U DC Output
- Ground
- A Function Jumpers
- B Function Jumpers
- C Function Jumpers

COMPATIBLE EQUIPMENT

Monitors - Handsets

6680
6681
6568

5601/000-5300-5301-5302-5303-902/100-900/100-875/100-7100-710S-
5651-5652
5661-5364-7101

Camera/Speaker/Mic

6680-6681
6568

554-554G-554/00R-554/COL-558-559-559G-559/COL-570-570G-571
561-561G-565-565

Switchers

6680-6681
6596

5590/001-5590/303-6591-6592-
6596



LEE DAN COMMUNICATIONS, INC.

155 Adams Avenue
Hauppauge, NY 11788-3699 USA
Phone: 800-231-1414 631-231-1414 - Fax:631-231-1498
EMAIL: info@leedan.com URL: www.leedan.com

FORM ED6680

Printed in USA

AUTHORIZED DISTRIBUTOR

