



# Remote Line Powered Phone Strobe

*Hooks up with RJ-11 plug*

## B-KHD-1000-PP

### FEATURES

- > Xenon strobe lamp
- > Solid state circuitry
- > Polycarbonate white translucent lens with black lettering

### AGENCY APPROVALS

- > Registered with the FCC in compliance with Part 68 of FCC Rules and Regulations (No. 329USA-21250-RG-N)

### SPECIFICATIONS

- > REN No: 3.7B
- > 3 to 7 Flashes per cycle
- > AC activation voltage: 85 - 115V
- > Ringing frequency: 16 to 70 Hz

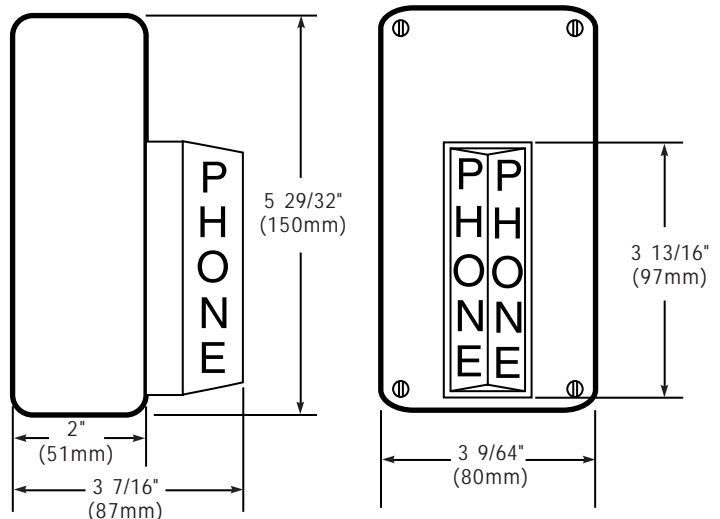
[www.leedan.com](http://www.leedan.com) [info@leedan.com](mailto:info@leedan.com) Toll-Free: 800-231-1414

The Edwards B-KHD-1000-PP remote line powered phone strobe operates on standard AC ringing voltage (85 - 115V AC) to provide remote visual indication of a ringing telephone. The units injected molded housing and cover ensure security.

The unit operates on the ringing voltage and matches the ringing cycle of the telephone.

The strobe easily installs to the telephone using a modular telephone jack. The cord and jack are not supplied.

For interior use in quiet areas such as libraries, broadcast studios, hospitals, and offices.



**EDWARDS**  
**SIGNALING**

© Copyright 2002 Edwards