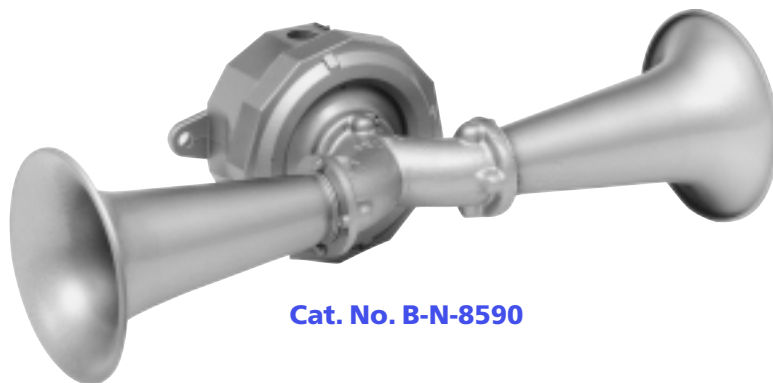


Edwards® B-N-8590 Series AdaptaHorn® Double Projector Weatherproof AC Vibrating Horn NEMA 4X Enclosure

Features

- Convenient plug-in assembly
- Corrosion resistant heat flowed epoxy finish
- Completely assembled
- Gasket sealed
- External volume control screw
- NEMA 4X enclosure



Cat. No. B-N-8590

Description

The Edwards B-N-8590 Series vibrating horn is designed for use where a loud and distinctive signal is needed. The sound mechanism of the signal starts and stops instantly with current impulse. The projector is connected to the heavy duty die cast aluminum housing by a cast aluminum, threaded ring.

Agency Approvals

- UL Listed 60 Hz
- UL Listed NEMA 4X enclosure

Specifications

- Heavy duty die cast aluminum
- 7" (178mm) seamless steel projectors
- Vibrating diaphragm

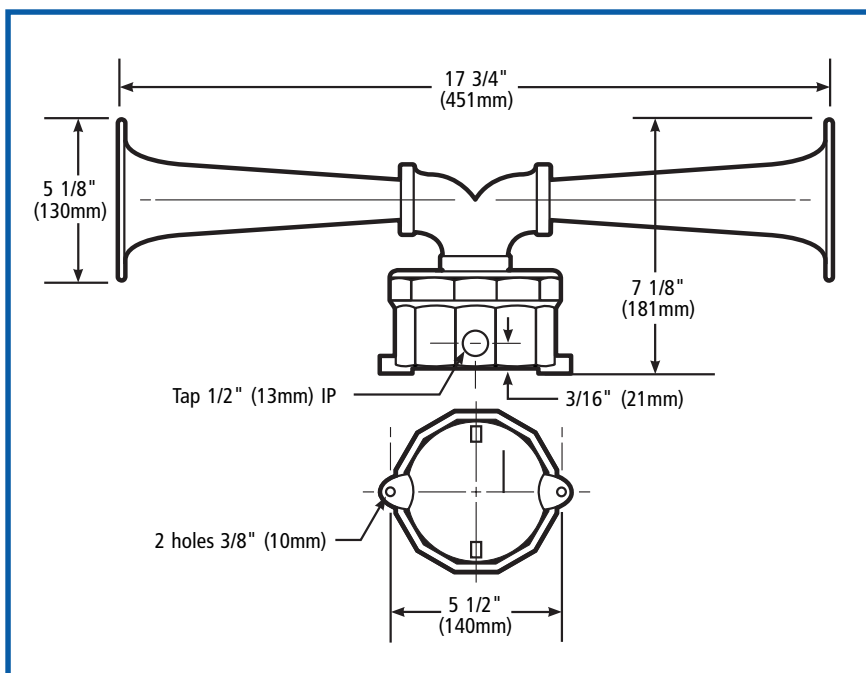
Installation

Two mounting lugs are provided on either side of the unit for wall mounting. The housing is tapped on one side for 1/2" (13mm) conduit to allow for field wiring installation.

Applications

Used where sound dispersion in opposite directions is required or specified. Applications include timing, scheduling, paging, and general alarm at construction sites, textile and paper mills, lumber yards, and shipping docks.

www.leedan.com info@leedan.com Toll-Free: 800-231-1414



Cat. No.	Volts	Amps	VA	DC coil Res. (Ohms)	dB at 10 Ft.
B-N-8590-E5	12V AC	1.6	19.2	3	
B-N-8590-G5	24V AC	1.1	26.4	5	95
B-N-8590-N5	120V AC	.2	24	146	