



Door Opener

9E

www.leedan.com info@leedan.com Toll-Free: 800-231-1414

Brushed aluminum and lacquered faceplate and nosing

Easy to install

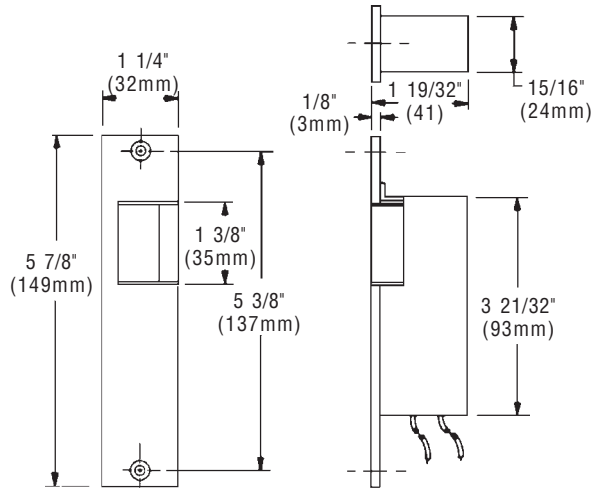
Fits left or right hand doors

Rugged, heavy duty construction

For use in wood jambs

The Catalog Number 9E mortise door opener is a dependable long service device, providing the security and convenience of remote control door-lock operation. This unit is flush mounted in place of the regular door strike plate. The door remains locked until the opener is electrically actuated by a contact device. For AC operation, use with an 88-50, 596 or 598 Transformer.

For use in apartments, offices, banks, industrial buildings, schools, and institutions. Use in door interlocking and control systems with timed or manual operation.



Cat. No.	Voltage	Amps	Transformer
9E	4 - 6V DC	1.3 - 2.7	—
	8 - 12V AC		12V tap of 88-50 or 596
9G5	24V AC	1.4	598