



Pull Stations

7302 Series

www.leedan.com info@leedan.com Toll-Free: 800-231-1414

FEATURES

- > 3 maintained contacts
- > Stainless steel face plate
- > "Emergency" engraved units available

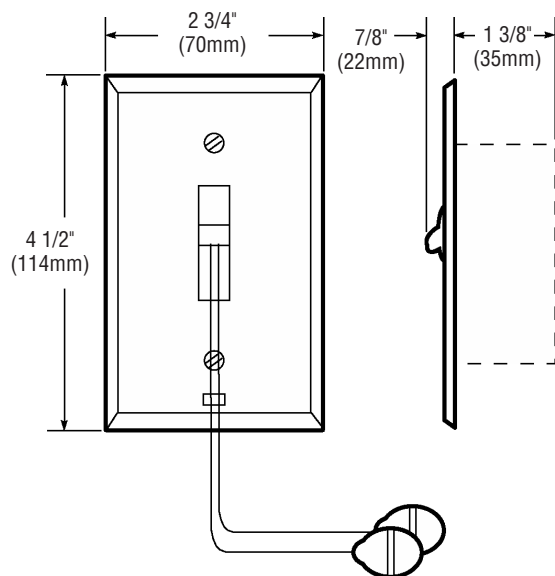
SPECIFICATIONS

- > 3 amps at 125V AC; 0.5 amps at 125V DC

The Edwards Pull Station provides emergency call activation. Calls are placed by pulling one of the attached 6 foot (1.83m) cords. Cords are replaceable with a standard nylon cord.

Designed for either flush or surface mounting. Unit fits in a standard single-gang electrical box and plaster cover. For surface mounting, use a Wiremold surface box. All boxes must have a minimum depth of 1 3/4" (44mm). Boxes and covers not supplied.

Use in public and private rest rooms.



Cat. No.	Description
7302A	Double cord
7302AE	Double cord, face plate engraved "Emergency"