



General Purpose Dixie Bell™

Fully Enclosed

720 Series

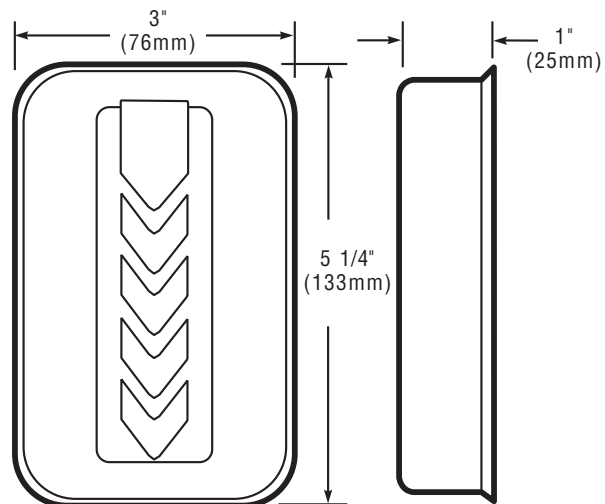
FEATURES

- > Low voltage
- > AC and DC operation
- > Attractive snap-on covers
- > Enclosed binding posts
- > Corrosion resistant metallic finish

Low cost, non adjustable bell which may be operated off of a 590 transformer or DC power.

Universal economy bell widely used in homes, apartment houses, plants, OEMs. Especially suitable for AC powered security systems with battery standby.

For office installation, see Cat. No. 13 Series Bells on page 5-22 or Cat. No. 15 and 115 Series Buzzers on pages 5-34 and 5-35. For combination bell and buzzer see Cat. No. 730 Dixie Buzabel™ on page 5-38.



Cat. No.	Volts	Amps	VA	DC Coil Res. (Ohms)	dB at 1m / 10 ft
720	6-8V AC 3-6V DC	1.20A	7.0	1.5	84 / 78

D-04