

Hotel Room Annunciator Kit

Audible and Visual Signals

7005-G5 Kit



FEATURES

- > High intensity strobe
- > Neutral white color
- > Fits single gang box

AGENCY APPROVALS

- > Transformer UL Listed and horn/strobe UL Listed
- > Horn/strobe UL 1638 Listed

SPECIFICATIONS

- > Transformer primary: 120V AC; secondary: 24V AC
- > Horn/strobe current draw: 175 mA at 24V 50/60 Hz; 125 mA at 24V DC
- > Strobe output: 50 cd on-axis

www.leedan.com info@leedan.com Toll-Free: 800-231-1414

The Edwards 7005-G5 Hotel Room Annunciator is for use in hotel rooms and other areas designed to accommodate those with audible, visual, or physical impairments. The kit consists of a Cat. No. 6536-G5 horn/strobe for audible and visual signaling, a Cat. No. 620 push button, a Cat. No. 147-10 mounting plate, and a Cat. No. 592 transformer. Each component may also be ordered individually. See the applicable component catalog page for a detailed description of that component.

Use in hotels, health care facilities, public rest-rooms, and handicapped areas.

6536-G5 Horn/Strobe

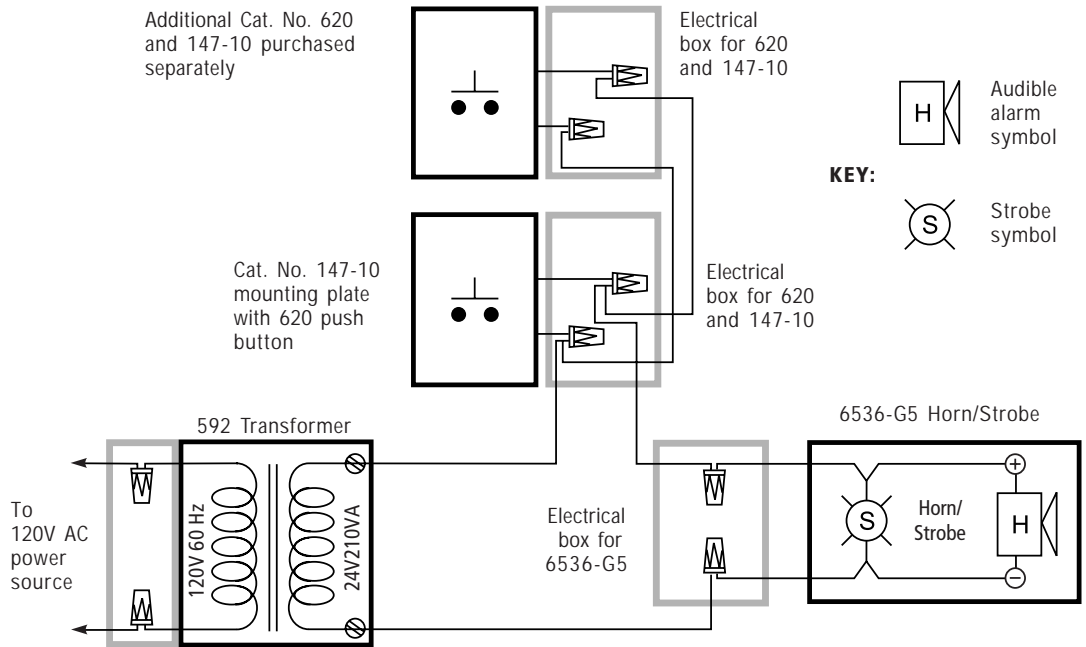
The Cat. No. 6536-G5 Horn/Strobe is designed for use in a single gang 2" (51mm) x 4" (102) box located over doors. Each unit contains an audible horn signal which generates an 82 dBA sound pressure level at 10 ft. and a high intensity candela strobe.

592 Transformer

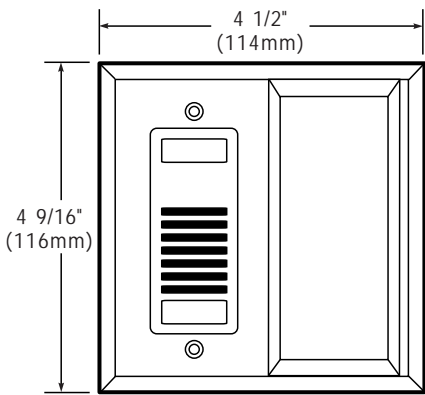
The Edwards Cat. No. 592 transformer is used to power the horn/strobe. It is equipped with a grounding wire and is suitable for installation in both plastic and metal boxes.

620 Push Button

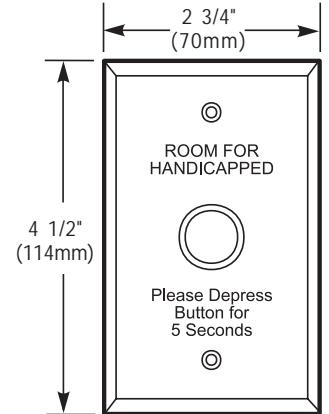
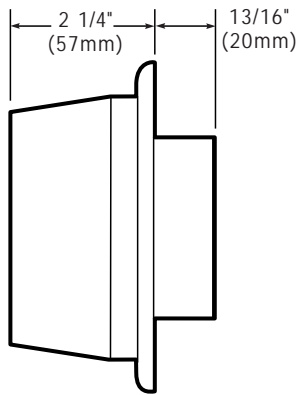
The Cat. No. 620 push button station provides call activation when installed in the 147-10 mounting plate. The plate has a stainless steel face. The switch is momentary.



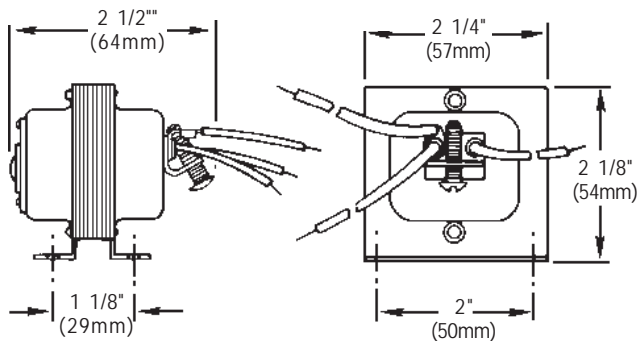
Connecting Cat. No. 7005-G5 Hotel Room Annunciator



Cat. No. 6536-G5



Cat. No. 147-10 w/ 620 Pushbutton



Cat. No. 592 Transformer

