



AdaptaBeacon® Rotating Lights

Weatherproof

52 Series

FEATURES

- > Weatherproof
- > Light intensifying reflector
- > 75 revolutions per minute
- > Bayonet lamp socket for easy replacement
- > Cast base can be utilized as junction box
- > May be mounted vertically, facing up or down in 3 ways:
 - Direct Surface
 - 4" (102mm) octagon box
 - 1/2" (13mm) NPT conduit

AGENCY APPROVALS

- > UL 1638 Listed
- > cUL Listed

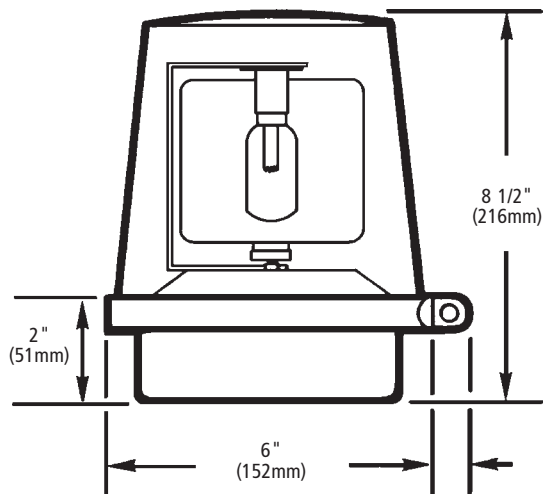
www.leedan.com info@leedan.com Toll-Free: 800-231-1414

Rotating signal designed to provide maximum brilliance and long term durability with minimum maintenance. The polycarbonate dome allows for easy cleaning. May be mounted in any orientation.

For direct mounting applications, unit is supplied complete with gasket and rubber expansion plugs. For weatherproof installation unit must be mounted vertically with the dome facing up. May be corner mounted using the Cat. No. CBR, corner mount bracket, or wall mounted using the Cat. No. WBR, wall mount bracket. See AdaptaBeacon Accessories.

Designed to attract attention or indicate equipment malfunctions in noisy areas. Used in security systems to visually show indication of an intrusion. Also used in factory and distribution facilities to alert workers of oncoming fork truck traffic.

TECHNICAL INFORMATION



Cat. No.	Lens Color	Replacement Lens Cat. No.	Lamp Ratings	Revolution Rate	Electrical Ratings	Replacement Lamp Cat. No.
52C-N5-40WH	Clear	52-LC	40 Watts	75 rpm	120V 50/60 Hz 0.35 Amps	50-LMP-40WH
52R-N5-40WH	Red	52-LR	265 lumens*			
52A-N5-40WH	Amber	52-LA	3328 candlepower			
52B-N5-40WH	Blue	52-LB	25,000 hours**			
52G-N5-40WH	Green	52-LG				
52M-N5-40WH	Magenta	52-LM				
52C-G5-20WH	Clear	52-LC	20 Watts	75 rpm	24V 50/60 Hz 0.8 Amps	50-LMP-20WH
52R-G5-20WH	Red	52-LR	226 lumens*			
52A-G5-20WH	Amber	52-LA	2839 candlepower			
52B-G5-20WH	Blue	52-LB	25,000 hours**			
52G-G5-20WH	Green	52-LG				
52M-G5-20WH	Magenta	52-LM				
52C-R5	Clear	52-LC	25 Watts	75 rpm	240V 50/60 Hz 0.10 Amps	P-041917-0039 Industry Trade No. 25T8/240V/DC/CL
52R-R5	Red	52-LR	232 lumens*			
52A-R5	Amber	52-LA	2914 candlepower			
52B-R5	Blue	52-LB	120 hours**			
52G-R5	Green	52-LG				
52M-R5	Magenta	52-LM				

*Manufacturer's lumen rating.

**Projected lamp life based on manufacturer's calculated lamp life @ 65 FPM and 50% duty cycle.

www.leedan.com info@leedan.com Toll-Free: 800-231-1414