



# Adaptabel® DC Vibrating Fire Alarm Bells

## *Explosionproof*

### 439DEX Series

#### FEATURES

- > 6", 8" and 10" gong sizes
- > Low power drain for efficient operation over long wire runs
- > Completely assembled
- > Red epoxy finish
- > Diode Polarized Models available for use in electrically supervised circuits

#### AGENCY APPROVALS

- > UL 1203 Listed
- > UL Listed for Class I, Divisions 1 and 2, Groups B, C and D; Class II, Divisions 1 and 2, Groups E, F and G; and Class III
- > CSFM Listed

#### SPECIFICATIONS

- > Adjustment free self-compensating plunger
- > Corrosion resistant red finish

[www.leedan.com](http://www.leedan.com) [info@leedan.com](mailto:info@leedan.com) Toll-Free: 800-231-1414

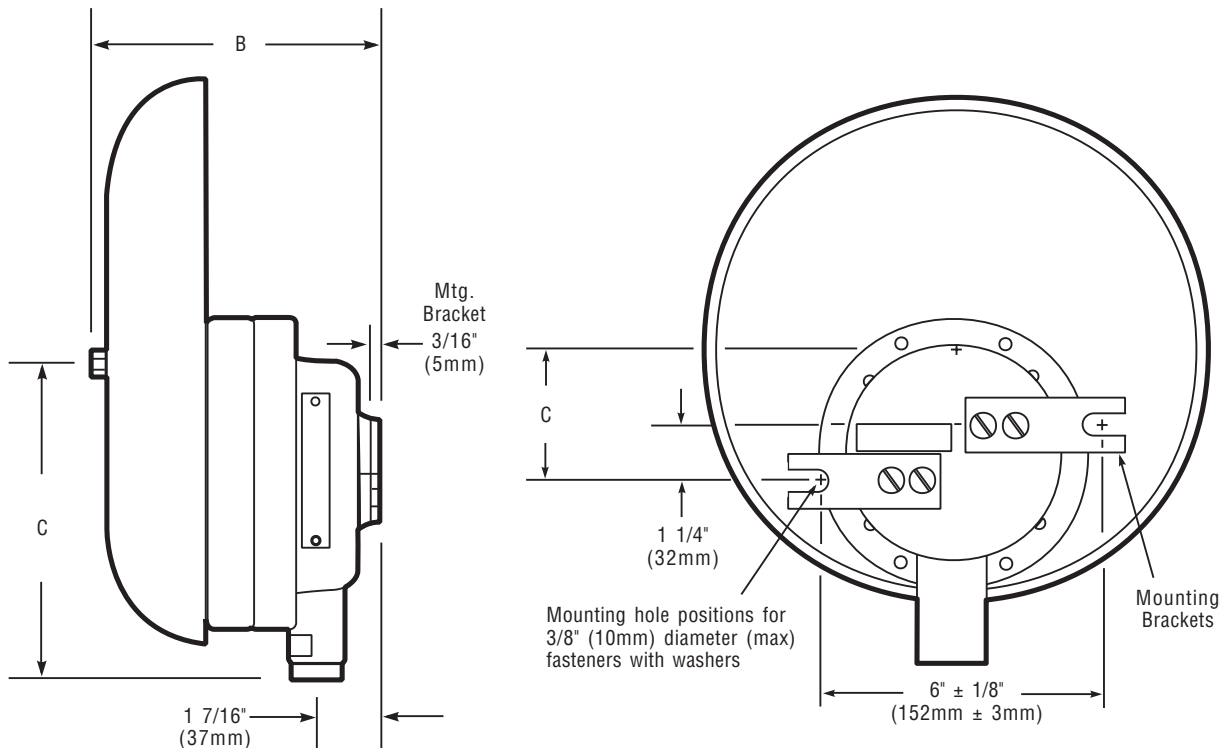
The Edwards hazardous location fire alarm bell is the finest heavy duty, hazardous location bell available today. It delivers a distinctive, clear ring that is free of mechanical clatter. Vibrating bells produce a long, continuous ringing sound. The striker continues to rapidly strike the gong as long as current is applied.

The bell has been designed for indoor applications requiring supervision of signaling circuit field wiring but may be used for unsupervised applications as well.

Mounts to any solid surface using two 3/8" (10mm) fasteners. Each unit is supplied with wire leads and a sealing fitting for connection to 3/4" (19mm) conduit.

The 439DEX fire alarm bells are ideally suited for fire alarm applications in refineries, gasoline storage and dispensing areas, flammable liquid areas, paint spray booths, aircraft refueling areas, graineries, flour mills, coal mines and other combustible dust areas.

# TECHNICAL INFORMATION



Gong Size	Dimensions		
	A	B	C
6" (152mm)	4 1/16" (103mm)	4 13/16" (122mm)	5/8" (16mm)
8" (203mm)	5 1/16" (129mm)	5 1/4" (133mm)	1 5/8" (41mm)
10" (245mm)	6 1/16" (154mm)	5 3/8" (137mm)	2 5/8" (67mm)

Cat No.	Volts	RMS Current	dB at 1m / 10 ft.	Gong Size
439DEX-6AW	20-24V DC	0.240A	89 / 83	6" (152mm)
439DEX-8AW	20-24V DC	0.240A	92 / 86	8" (203mm)
439DEX-10AW	20-24V DC	0.240A	95 / 89	10" (254mm)

[www.leedan.com](http://www.leedan.com) [info@leedan.com](mailto:info@leedan.com) Toll-Free: 800-231-1414