

Adaptabel® AC Vibrating Bells

Explosionproof, NEMA Type 4

340EX Series

FEATURES

- > 6", 8" and 10" gong sizes
- > Low power drain for efficient operation over long wire runs
- > Completely assembled
- > Weatherproof

AGENCY APPROVALS

- > UL 1203 Listed
- > UL Listed for Class I, Divisions 1 and 2, Groups B, C and D; Class II, Divisions 1 and 2, Groups E, F and G; and Class III
- > NEMA Type 4

SPECIFICATIONS

- > Adjustment free self-compensating plunger
- > Corrosion resistant finish

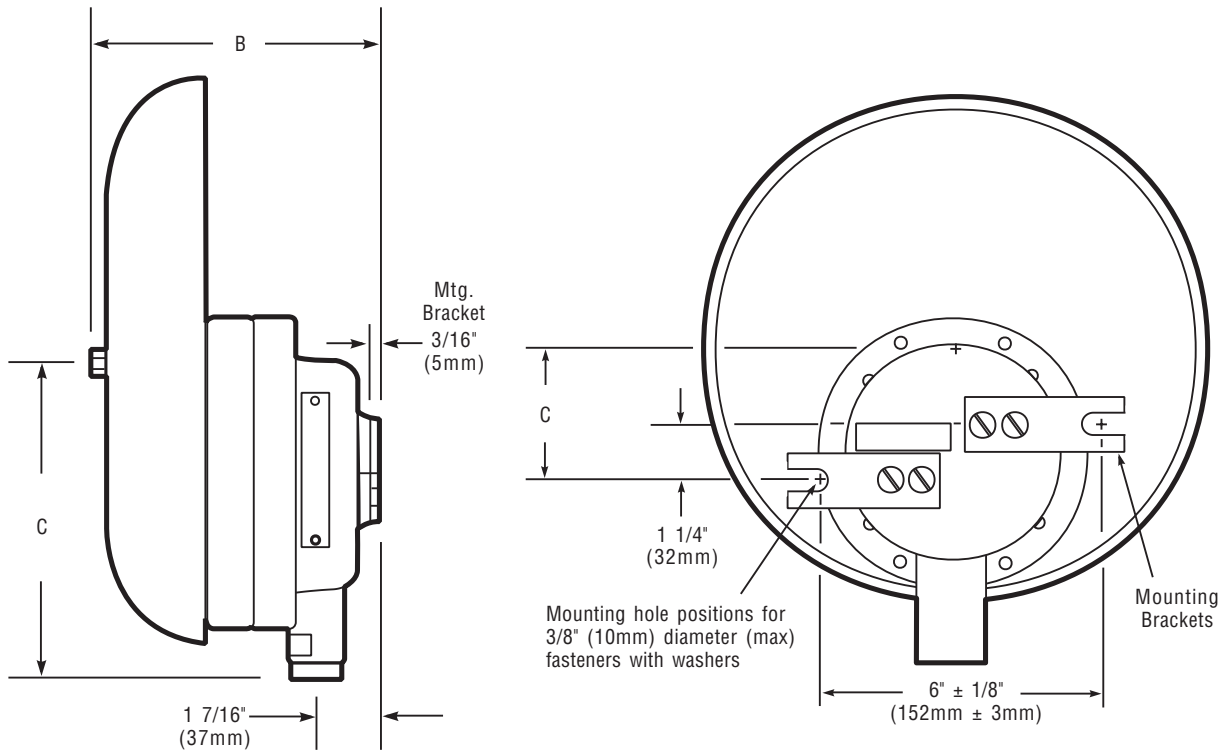
www.leedan.com info@leedan.com Toll-Free: 800-231-1414

Hazardous location AC vibrating bells produce a distinctive, loud, and clear ringing sound that is free of mechanical clatter. The striker continues to strike the gong in rapid-fire action as long as current is applied.

Mounts to any solid surface using 3/8" (10mm) fasteners. Units fitted with a sealing fitting for 3/4" (19mm) conduit and wire leads for power connections.

Specified for timing, scheduling, paging, and general alarm applications in refineries, gasoline storage and dispensing areas, petrochemical manufacturers, spray paint areas, aircraft hangers, grain dust areas in graineries and flour mills, and industrial firms using flammable liquids.

TECHNICAL INFORMATION



Gong Size	Dimensions		
	A	B	C
6" (152mm)	4 1/16" (103mm)	4 13/16" (122mm)	5/8" (16mm)
8" (203mm)	5 1/16" (129mm)	5 1/4" (133mm)	1 5/8" (41mm)
10" (245mm)	6 1/16" (154mm)	5 3/8" (137mm)	2 5/8" (67mm)

Cat No.	Volts	RMS Current	dB at 1m / 10 ft.	Gong Size
340EX-6G5	24V AC 50/60 Hz	0.210A	90/84	6" (152mm)
340EX-6N5	120V AC 50/60 Hz	0.041A		
340EX-6R5	240V AC 50/60 Hz	0.021A		
340EX-8N5	120V AC 50/60 Hz	0.041A	95/89	8" (203mm)
340EX-10G5	24V AC 50/60 Hz	0.210A	94/88	10" (254mm)
340EX-10N5	120V AC 50/60 Hz	0.041A		
340EX-10R5	240V AC 50/60 Hz	0.021A		

www.leedan.com info@leedan.com Toll-Free: 800-231-1414