



Adaptabel® AC Single Stroke Bells

Explosionproof, NEMA Type 4

332EX Series

FEATURES

- > 6" and 10" gong sizes
- > Low power drain for efficient operation over long wire runs
- > Completely assembled
- > Weatherproof

AGENCY APPROVALS

- > UL 1203 Listed
- > UL Listed for Class I, Divisions 1 and 2, Groups B, C and D; Class II, Divisions 1 and 2, Groups E, F and G; and Class III
- > NEMA Type 4

SPECIFICATIONS

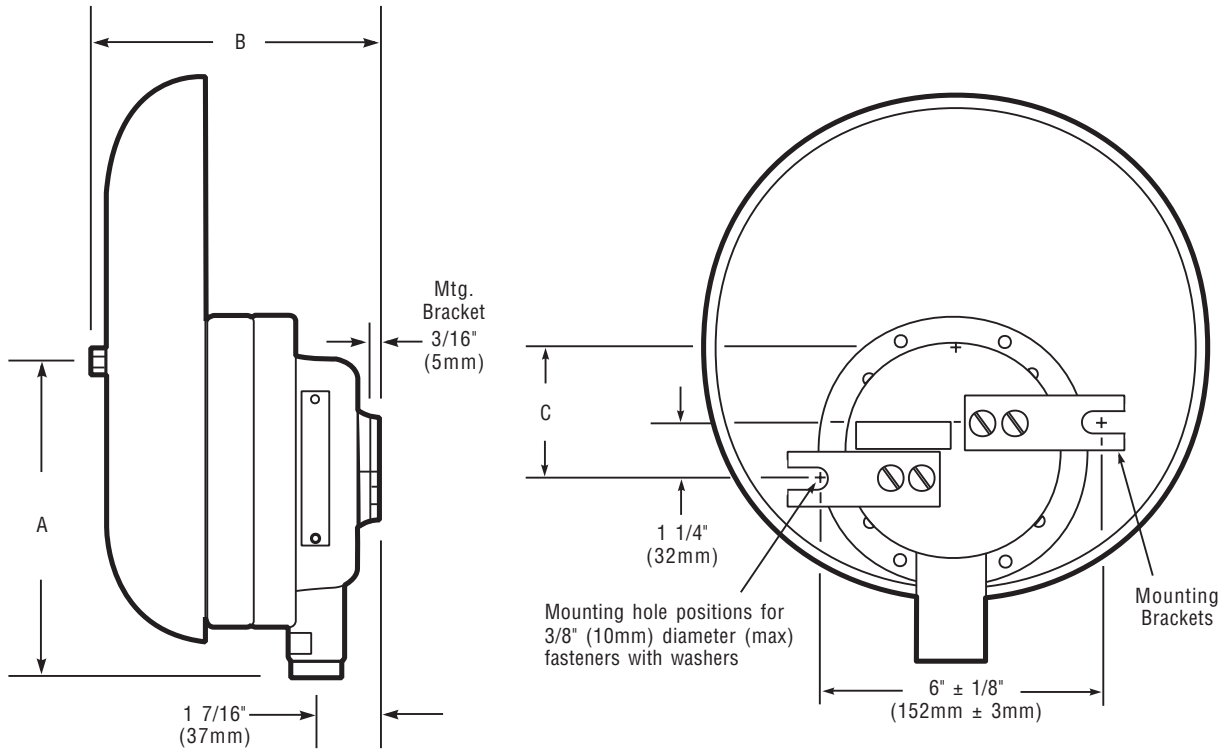
- > Adjustment free self-compensating plunger
- > Corrosion resistant finish

www.leedan.com info@leedan.com Toll-Free: 800-231-1414

Hazardous location AC single stroke bells produce a distinctive, loud, and clear individual note that is free of mechanical clatter. When current is applied, the striker hits the gong once and stops. Current may be coded to cause the striker to hit the gong intermittently. Ideal for use with momentary initiating contacts.

Mounts to any solid surface using 3/8" (10mm) fasteners. Units fitted with a sealing fitting for 3/4" (19mm) conduit and wire leads for power connections.

Used for coded signal applications such as paging. Also specified for timing, scheduling, and general alarm applications in: Refineries, gasoline storage and dispensing areas, petrochemical manufacturers, spray paint areas, aircraft hangers, grain dust areas in graineries and flour mills, and industrial firms using flammable liquids.



Gong Size	Dimensions		
	A	B	C
6" (152mm)	4 1/16" (103mm)	4 13/16" (122mm)	5/8" (16mm)
10" (245mm)	6 1/16" (154mm)	5 3/8" (137mm)	2 5/8" (67mm)

Cat No.	Volts	Peak Current*	dB at 1m / 10 ft.	Gong Size
332EX-6G5	24V AC 50/60 Hz	3.40A	92 / 86	6" (152 mm)
332EX-6N5	120V AC 50/60 Hz	0.43A		
332EX-6R5	240V AC 50/60 Hz	0.20A		
332EX-10G5	24V AC 50/60 Hz	3.40A	100 / 94	10" (254 mm)
332EX-10N5	120V AC 50/60 Hz	0.43A		
332EX-10R5	240V AC 50/60 Hz	0.20A		

*Single pulse duration - 8 to 16 milliseconds

www.leedan.com info@leedan.com Toll-Free: 800-231-1414