



# Clock Accessories

## 1888, 1889, 1899 & 2476B Series

### FEATURES

- > Protective wire guards for 8" & 12" clocks
- > Double face hanger brackets for 12" clocks
- > Flush mounting wall box

[www.leedan.com](http://www.leedan.com) [info@leedan.com](mailto:info@leedan.com) Toll-Free: 800-231-1414

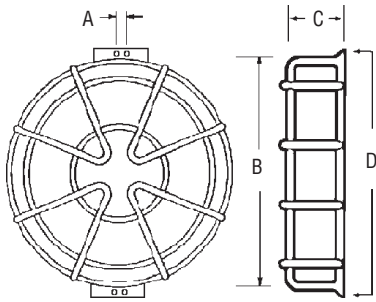
The Cat. No. 1888 and 1889 are protective wire guards for 8" (203 mm), 12" (305 mm) and 15" (381 mm) round clocks.

Catalog Series 1899 are double face hanger brackets for 12" (305 mm) clocks. Each unit contains 2 receptacles for AC plug-in clocks. Available in matte black, brown, and gray. Clocks not included.

Also available is a flush mounting wall box, part number P-047702-0125, for 12" (305 mm) flush mount clocks.

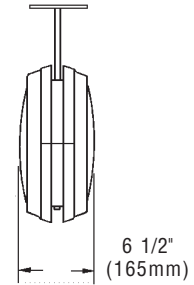
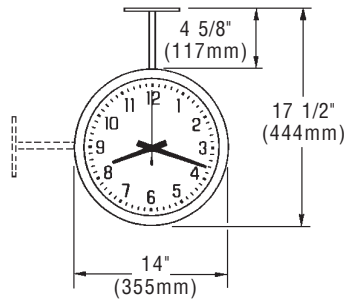
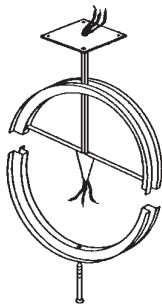
Cat. No.	Description
1888	Protective wire guard for 8" (203 mm) and 12" (305 mm) clocks
1889	Protective wire guard for 15" (381 mm) clocks
1899BL	Matte Black Suspension Unit
1899B	Brown Suspension Unit
1899A	Gray Suspension Unit
2476B-9999	Flush Mounting Wall Box

**Protective Wire Guards**



Cat No.	Dimensions			
	A	B	C	D
1888	1 1/16" (27mm)	15 1/4" (387mm)	5 3/8" (137mm)	16 1/8" (410mm)
1889	1 1/16" (27mm)	21 1/4" (540mm)	5 3/8" (137mm)	22 1/2" (562mm)

**Suspension Units**



**Flush Wall Box**

