



Compaxx[®] Series Strobes

Type 4X

117 Series

FEATURES

- > Type 4X Enclosure
- > Black Impact Resistant Polycarbonate ABS Blend Base
- > Five Lens Colors

AGENCY APPROVALS

- > UL Listed
- > cUL Listed
- > UL Listed Type 4X

SPECIFICATIONS

- > Replaceable Linear Strobe Tube Powered at 1.75 Joules
- > 10-110V DC, 120V AC, or 240V AC Operation

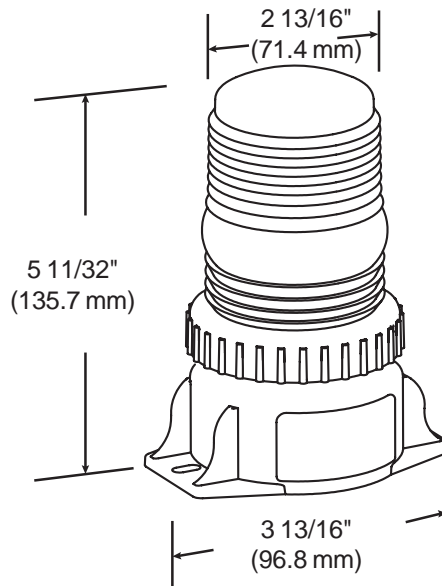
www.leedan.com info@leedan.com Toll-Free: 800-231-1414

The Edwards 117 Series Strobes are designed for applications in industrial, commercial, and institutional applications where reliable and distinctive visual indication is required. The low profile 117 Series is ideal for industrial washdown applications as well as for use on tow motors and other vehicles. The strobe units provide a bright visual indication by utilizing a linear strobe tube inside a shatter resistant polycarbonate fresnel lens.

Suitable for indoor or outdoor installation. When mounted outdoors the unit should be mounted with the lens facing up.

Edwards strobe lights are particularly effective in high noise areas where ear protection must be worn and audible signals may not be heard or understood. They can advise personnel in manufacturing, process control and warehouse areas when an operation is starting or stopping or a vehicle is moving. They are also often used to signal equipment malfunction and to warn personnel that they are entering restricted areas.

TECHNICAL INFORMATION



Cat. No.	Lens Color	Strobe Tube	Peak Candlepower	Electrical Ratings	Mounting
117A-EM	Amber	114-ST	175,000	10 - 110V DC	Surface
117B-EM	Blue	1,500 hr*		0.350 Amps	
117C-EM	Clear				
117G-EM	Green				
117R-EM	Red				
117A-N5	Amber	91B-ST	175,000	120V AC 50/60 Hz	Surface
117B-N5	Blue	1,500 hr*		0.02 Amps	
117C-N5	Clear				
117G-N5	Green				
117R-N5	Red				
117A-R5	Amber	91B-ST	175,000	240V AC 50/60 Hz	Surface
117B-R5	Blue	1,500 hr*		0.015 Amps	
117C-R5	Clear				
117G-R5	Green				
117R-R5	Red				

*Calculated strobe tube life at operating power to 75% efficiency.

www.leedan.com info@leedan.com Toll-Free: 800-231-1414