

# High Voltage Buzzer

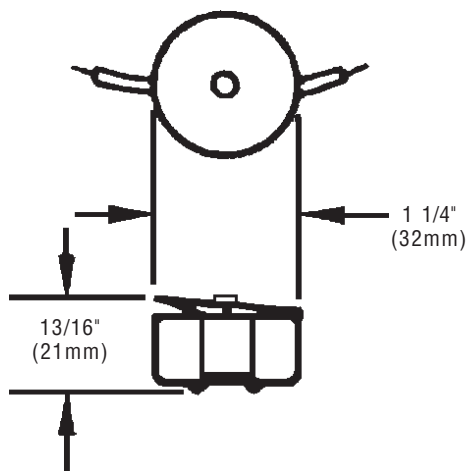
*Low power drain*

## 1066 Series

[www.leedan.com](http://www.leedan.com) [info@leedan.com](mailto:info@leedan.com) Toll-Free: 800-231-1414

Designed for standard outlet box installation. Provided with leads for wiring connections.

Low cost, quality buzzer widely used in homes, apartment houses, plants, and OEMs.



### FEATURES

- > High voltage
- > Adjustable volume
- > Zinc-plated finish
- > Low power drain permits long wire runs

### AGENCY APPROVALS

- > UL Recognized

Cat No.	Volts	Amps	VA	DC Coil Res (ohms)	dB at 1m / 10 ft.
1066-G5	24V AC 50/60 Hz	0.25A	6	36	80 / 74
1066-N5	120V AC 50/60 Hz	0.05A	6	925	
1066-R5	240V AC 50/60 Hz	0.025A	6	3600	