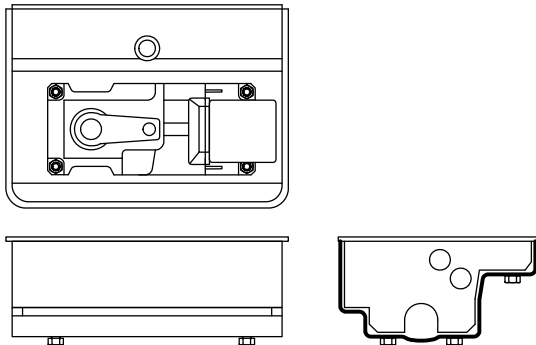


## MODEL 6400 In-Ground Swing Gate Operator

*For gates up to 10-feet wide, 300 Lb. maximum gate weight*

Designed for residential gates up to 10-feet in length, the DKS Model 6400 installs in-ground making it virtually invisible and satisfies the most sophisticated automation needs without being detrimental to the original gate design. The 6400 operates on 24 VAC (AC is converted to DC in the control panel) power.



### Standard Features

- Operates on 24 VDC power.
- Slow-start / slow-stop operation
- Screw drive system
- For swing gates up to 300 Lb.
- Internal adjustable magnetic limit switches
- Programming switches allow you to set desired mode of operation
- Keyed release for manual operation
- Fail-secure
- Separate control panel
- Auto-close timer
- Plug-in loop detectors
- Overlap feature for master-slave gate operation
- Batteries included
- 2-year limited warranty
- 10°F to 140°F (-12°C to 62°C)

### Options

- Deluxe control box includes three 115 VAC convenience outlets
- Bi-parting gate connection cable
- Plug-in loop detectors
- Swing gate accessories
- **Secondary entrapment prevention devices are required with this gate operator.**

Dimensions	Shipping Weight	Class	Power
6400:: 17"W x 6"H x 12"D	170 Lbs.	Class: I	115 VAC, 60 Hz 3.5 A
Standard Control Box 12.5"W x 16.5"H x 4.25"D	29 Lbs.		
Deluxe Control Box 14.5"W x 24.5"H x 4.25"D	38 Lbs.		

**6400 In-ground Swing Gate Operator Assemblies – List Price**

Description		
Single set (1 Operator + Control Panel) (Note 1)		
Double set (2 Operators + Control Panel) (Note 2, 5)		

**6400 In-ground Operator Components**

P/N	Description	
6400-080	Operator Only.	
4302-111	Standard Control Panel. (Note 3)	
4302-112	Deluxe Control Panel. (Note 4)	

**Accessories**

P/N	Description	
9409-010	DoorKing plug-in 2-channel detector. Use with DKS operators only.	
9410-010	DoorKing plug-in single channel detector. Use with DKS operators only.	
2600-755	Primary – Secondary Interconnect Cable 30-Ft.	
2600-756	Primary – Secondary Interconnect Cable 40-Ft.	
2600-757	Primary – Secondary Interconnect Cable 50-Ft.	

**To Order: Select a control panel AND operator(s).**

**Notes:**

- (1) Price shown includes one operator and respective control panel.
- (2) Price shown includes two operators and respective control panel.
- (3) Standard control box houses control board and batteries.
- (4) Deluxe control box houses control board, batteries and has three 115 VAC convenience outlets available.
- (5) Does Not include primary / secondary interconnect cable. Order separately from accessories.