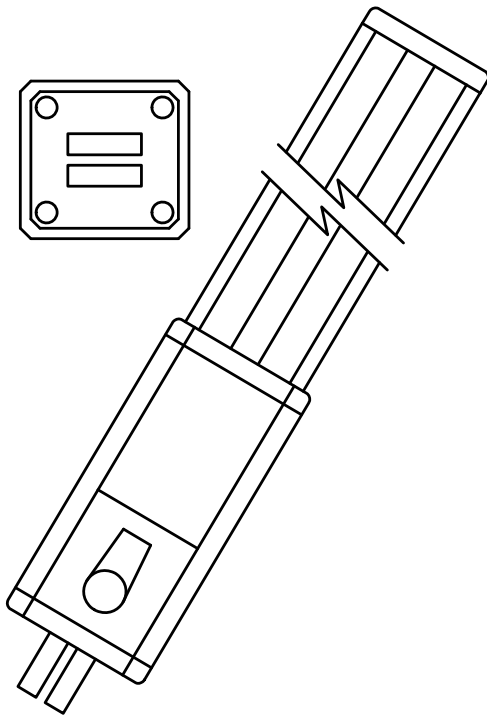


MODEL 6002 Residential Swing Gate Actuator

For gates up to 14-feet wide

The model 6002 swing gate actuators are designed to operate vehicular swing gates in residential applications where side room is minimal. These actuators install directly on the swing gate, eliminating the need for any mounting posts or concrete mounting pads. These actuators operate on 24 VAC (115 VAC is converted to DC in the control panel) power.



Standard Features

- Actuators operate on 24 VDC power.
- Slow-start / slow-stop operation
- Screw drive system
- For gates up to 14-feet wide
- Internal adjustable magnetic limit switches
- Programming switches allow you to set desired mode of operation
- Keyed release for manual operation
- Fail-secure
- Separate control panel
- Auto-close timer
- Plug-in loop detectors
- Overlap feature for bi-parting gate operation
- Batteries included
- 2-year warranty
- 0°F to 130°F (-18°C to 55°C)

Options

- Deluxe control box includes three 115 VAC convenience outlets
- Bi-parting gate connection cable
- Magnetic gate locks
- Swing gate accessories
- Plug-in loop detectors
- **Secondary entrapment prevention devices are required with this gate operator.**

Dimensions	Shipping Weight	Class	Power
6002: 4"W x 3.75"H x 48"L	23 Lbs.	Class: I	115 VAC, 60 Hz 3.5 A
Standard Control Box 12.5"W x 16.5"H x 4.25"D	29 Lbs.		
Deluxe Control Box 14.5"W x 24.5"H x 4.25"D	38 Lbs.		

6002 Swing Gate Actuator Complete Assemblies

Description			
Single set (1 Actuator + Control Panel)	(Note 1)		
Double set (2 Actuators + Control Panel)	(Note 2, 5)		

6002 Swing Gate Actuator Components

P/N	Description		
6002-080	Actuator Only.		
4302-111	Standard Control Panel.	(Note 3)	
4302-112	Deluxe Control Panel.	(Note 4)	

Accessories

P/N	Description		
9409-010	DoorKing plug-in 2-channel detector. Use with DKS operators only.		
9410-010	DoorKing plug-in single channel detector. Use with DKS operators only.		
2600-755	Primary – Secondary Interconnect Cable 30-Ft.		
2600-756	Primary – Secondary Interconnect Cable 40-Ft.		
2600-757	Primary – Secondary Interconnect Cable 50-Ft.		

To Order: Select a control panel AND actuator(s).

Notes:

- (1) Price shown includes one actuator and respective control panel.
- (2) Price shown includes two actuators and respective control panel.
- (3) Standard control box houses control board and batteries.
- (4) Deluxe control box houses control board, batteries and has three 115 VAC convenience outlets available.
- (5) Does Not include primary / secondary interconnect cable. Order separately from accessories.