


LOW VOLTAGE ELECTRIC DOOR STRIKES

UL LISTED TRANSFORMERS



DOOR STRIKES TRANSFORMERS




MOST POPULAR!

Model DO-001


Our strongest, most versatile Mortise type Door Opener is also our most popular. For lock sets and latches up to 1/2" width and throw. 1 7/16" depth.

- Powder coated brass finish.
- 16-24V AC or DC
- Positive screw terminal connectors.
- Tamper resistant up to 1,000 pounds.
- Normally LOCKED type with heavy duty coils.
- Great value!


TIP: Be sure to make cut in door frame for Right Hand (RH) or Left Hand (LH) as Below:




Open In RH



Open In LH




Open Out LH



Open Out RH

Model DO-1 is an economy version of DO-001 (above). DO-1 is a light duty model with 6" pigtail connections, requiring 1/8" deeper mounting than DO-001.



Model DO-1



DOOR STRIKE SPECIFICATION CHART

MODEL	Normally LOCKED "Fail Secure"	AC Operating Voltage	DC Operating Voltage	Wiring Connection Type	GENERAL DESCRIPTION TYPE	Duty Rating	COLOR	SIZE IN INCHES (H x W x D)
DO-001	YES	16-24VAC	16-24VDC	Screw	Mortise	Heavy	Brass	5 7/8 x 1 1/4 x 1 7/16
DO-1	YES	8-16VAC	3-6VDC	Pigtail	Mortise	Light	Brass	5 13/16 x 1 3/16 x 1 9/16
DO-002	YES	8-16VAC	3-6VDC	Pigtail	Mortise	Light	Silver	7 15/16 x 1 7/16 x 1 9/16
DO-003	YES	8-16VAC	3-6VDC	Pigtail	Narrow Rim/Surface	Light	Aluminum	4 5/8 x 1 1/4 x 1 3/4
DO-004	YES	8-16VAC	3-6VDC	Pigtail	Knockout Mortise	Light	Brass	6 5/8 x 1 3/8 x 2 3/4
DO-005	YES	8-16VAC	3-6VDC	Pigtail	Mortise	Light	Brass	3 1/2 x 1 3/8 x 2 3/4
DO-006	YES	8-16VAC	3-6VDC	Pigtail	Rim/Surface	Light	Brass	2 1/8 x 1 1/4 x 2 11/16
DO-007	YES	8-16VAC	3-6VDC	Pigtail	Mortise/ANSI	Light	Brass	4 7/8 x 1 5/8 x 2 7/8
DO-012S	YES	24VAC	24VDC	Pigtail	ANSI 4 7/8"	Heavy	Brass	4 7/8 x 1 3/4 x 1 5/8

Contact LEE DAN for Trine & Other Special Order Door Strikes - See Back Page for Magnetic Locks

HOOKUP NOTES: When used as an independent door opener system, all units, **except DO-012S**, may be powered (A.C. buzzing) by a PS-20A plugin type, or PS-3B pigtail type transformer. DO-012S requires a PS-30A (pigtail type) transformer.

MAGNETIC LOCKS

Model DKML-S12-1

- 12 or 24 VDC field selectable
 - 1,200 lb. holding force
 - Surface mount
 - Single or dual doors



ADVANTAGES OF MAGNETIC LOCKS:

- No Moving Parts to Wear Out or Break
- Vandal & Weather Resistant
- Fail-Safe Operation Assures Fire Exits are Unlocked During Power Outages
- Superior Reliability, Strength & Safety

U.L. LISTED LOW VOLTAGE TRANSFORMERS

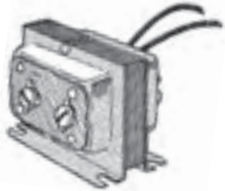
PIGTAIL TRANSFORMERS

Model PS-3B

120 VAC - 16 VAC - 15 VA

Model PS-3A

120 VAC - 16 VAC - 10 VA



Model PS-30A

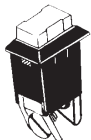
120 VAC - 8 VAC - 20 VA
 120 VAC - 16 VAC - 30 VA
 120 VAC - 24 VAC - 30 VA

Ideal for 16VAC intercom systems
 with 24VAC door strikes.



REPLACEMENT PANEL & STATION PUSH BUTTONS

ST-008
 1 Screw
 1 Solder



ST-008/2
 2 Screw



ST-009
 2 Solder

PLUG-IN TRANSFORMERS

Model PS-20A

120 VAC - 16 VAC - 20 VA



Model PS-40P

120 VAC - 16 VAC - 40 VA

REGULATED POWER SUPPLY

Model PSR-4C



12 VDC 4 AMP Regulated

- Input: 117 VAC 60 Hz
- Output: 13.8 VDC
- 4 Amp Constant
- 6 Amp Surge



Model 620

5/8" Round Silver
 Push Button.
 White Cap.

PS-050



PS-250



HEAVY DUTY TRANSFORMERS

PS-050 120 VAC - 12 VAC - 25 VA
 120 VAC - 24 VAC - 50 VA

PS-100 120 VAC - 12 VAC - 50 VA
 120 VAC - 24 VAC - 100 VA

PS-250 120 VAC - 4 VAC - 40 VA
 120 VAC - 8 VAC - 80 VA
 120 VAC - 12 VAC - 125 VA
 120 VAC - 16 VAC - 160 VA
 120 VAC - 20 VAC - 200 VA
 120 VAC - 24 VAC - 250 VA

SPECIALTY TRANSFORMERS

PS-5A 220 VAC - 16 VAC - 10 VA
 For Foreign Hookup from 220VAC to 16VAC

PS-40A 120 VAC - 24 VAC - 40 VA

Toll-Free 800-231-1414

631-231-1414

Fax: 631-231-1498

www.LEEDAN.com

155 Adams Avenue
 Hauppauge, NY 11788-3699

Distributed by: _____

