

**DESCRIPTION:**

The IPW-1A provides voice-quality intercom communication and relay activation over standard IP based networks. Designed specifically to integrate seamlessly into a new or existing LAN / WAN infrastructure, the IPW-1A system is capable of supporting hundreds of stations. Providing intercom/paging solutions to a large variety of applications including commercial, industrial, residential, general security, office, and institutional.

The IPW-1A works with Aiphone's proprietary CommuniCenter software to create a network intercom system. The IPW-1A is compatible with any of the Aiphone IE door stations. The system allows for call-in to the PC via the CommuniCenter software, general communication between the PC and the intercom station, as well as the ability to activate the electric door release.

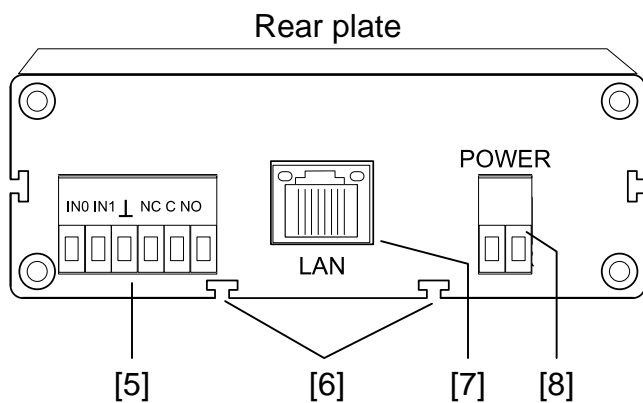
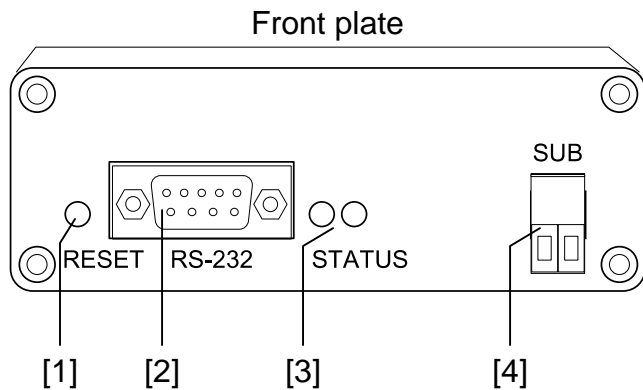
FEATURES:

- Cost-effective multi-master (PC based) design
- Compatible with IE Series door stations
- Scalable to hundreds of stations / locations
- Works with standard wired and wireless network infrastructure. (LAN/WAN)
- Digital audio recording and playback capability via included software
- Relay output for remote release (N/O or N/C) (the relay can also be configured to trigger when communication is being transmitted to the IPW-1A, communication is being transmitted from the IPW-1A, or the call button on the sub station is pressed)
- External input

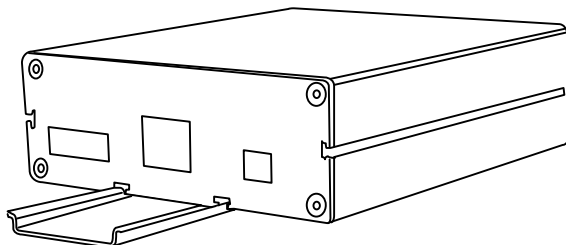
IPW-1A

Intercom-Over-IP Adaptor

FEATURE CALL-OUTS:



IPW-1A with Mounting Rail



FEATURE CALL-OUT DEFINITIONS:

- [1] Reset switch (reset unit)
- [2] RS-232 Serial Port (for firmware recovery)
- [3] Green and Red Status Lights
- [4] Sub station connector
- [5] Door release relay output & external input
 - Door release:
 - NC = Normally closed contact
 - NO = Normally open contact
 - C = Common
 - External input:
 - IN0 = call button input (simulates door call in)
 - Gnd = ground
- [6] Mounting rail slots
- [7] RJ-45 10/100 Ethernet jack & connection indicator LED's (network connection)
- [8] Power input connector

SPECIFICATIONS:

- Power Source: 15VAC, PT-1211C (included)
- Network Interface: 10/100 Base-T Ethernet (Auto detection) RJ-45
- IP Assignment: Static or Dynamic
- Hardware Protocols: TCP/IP, UDP, DHCP, SNMP, AutoIP, SonicIP, Ipzator
- Transport Bandwidth: \approx 128Kbps per active session (normal mode)
 \approx 64Kbps per active session (low bandwidth mode)
- Audio Encoding: PCM (raw), G.7II (μ Law)
- Audio Sampling: 16bit @ 8kHz (normal mode)
8bit @ 8kHz (low bandwidth mode)
- Output Level: Determined by sub station
- Relay contact Rating: 30V AC/DC 1.0A (resistive)
- Operating Temp: 32°F to 104°F (0°C to 40°C)
- Dimensions: 1- $\frac{1}{2}$ " H x 4- $\frac{1}{4}$ " W x 4- $\frac{15}{16}$ " D

Aiphone Corporation