

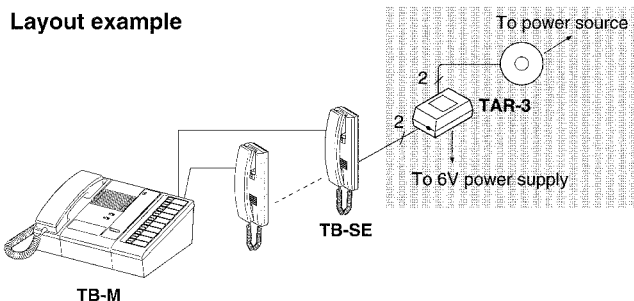
CALL EXTENSION RELAY

Model: **TAR-3**

INSTALLATION & OPERATION MANUAL

1 SYSTEM OUTLINE AND FEATURES

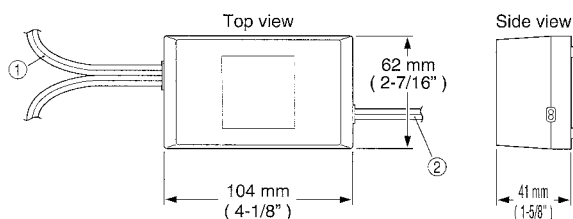
The TAR-3 relay is used to activate an external doorbell or signalling device when a door station calls in. It can be used for call extension on the IE, MY(for door call), IE-8MD, YKX, TB-M and AT systems.



Package contents

- Call extension relay (TAR-3)
- Mounting bracket(2) & screws (2 types, ea. 2 pcs)
- Installation & Operation Manual

2 NAMES AND FUNCTIONS

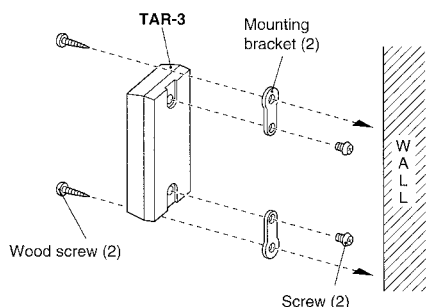


- ① **INPUT OF RELAY:**
 Red: Positive 6V DC
 Black: Negative 6V DC
 White: Activation wire
 Blue: Activation wire
- ② **OUTPUT OF RELAY:**
 Orange
 Orange: Dry contact closure

3 SPECIFICATIONS

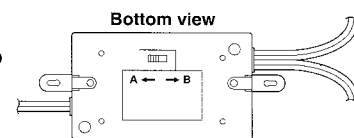
- Relay power source:** 6V DC, supplied by PS-6D or SKK-620 power supply
Relay switching capacity: 0.3A 240V AC. 1.0A 24V DC.
External signalling device requirements: Use AC operated buzzer or DC mechanical buzzer.
 Do not use DC operated electronic buzzer, as it may damage the relay contact.

4 INSTALLATION



For wall mounting, attach unit to wall with supplied mounting hardware.

- When making wire connections, be sure not to short any wires together. Use wire nuts or protective material to isolate the connections.
- TAR-3 relay must be power sourced closely to 6 V power supply. Run relay output wires in a separate sheath from intercom's.
- Put the selector switch (preset to A) to A or B as per each wiring diagram.



★ Refer to Installation & Operation Manual of using intercom for entire system configurations.

5 OPERATIONS

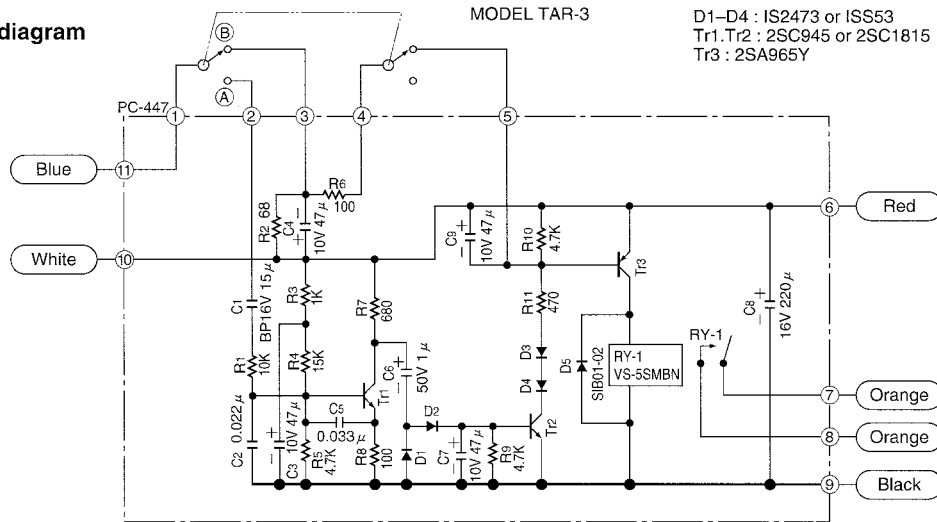
IE and MY series systems

1. The TAR-3 allows the integration of a standard doorbell, which will ring when a call is placed from the door station.
2. The chime at the intercom station(s) will be received, and the remote doorbell device will be activated.

All other systems (IE-8MD, AT-406, TB-M, YKX)

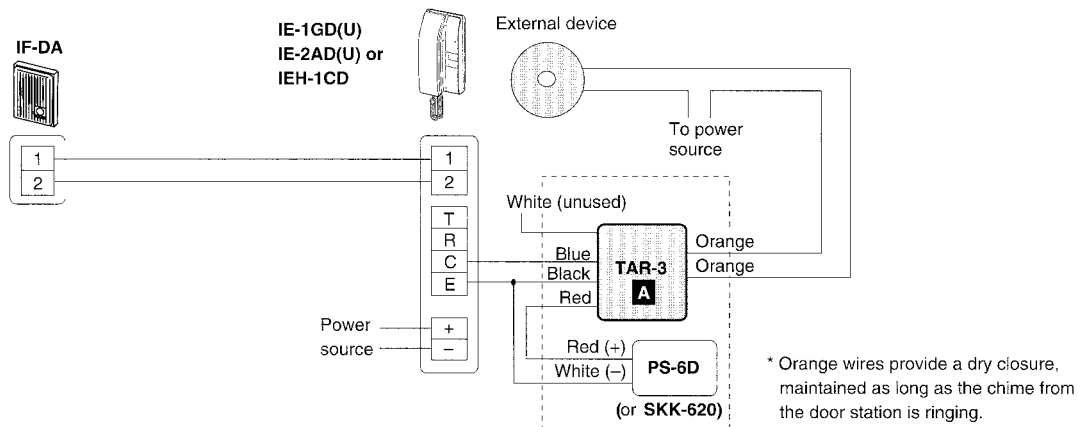
1. With the TAR-3 relay at the remote station, the external device will be activated as long as the handset is ringing.
2. When the intercom station is picked up, the external device will no longer be activated.

Schematic diagram

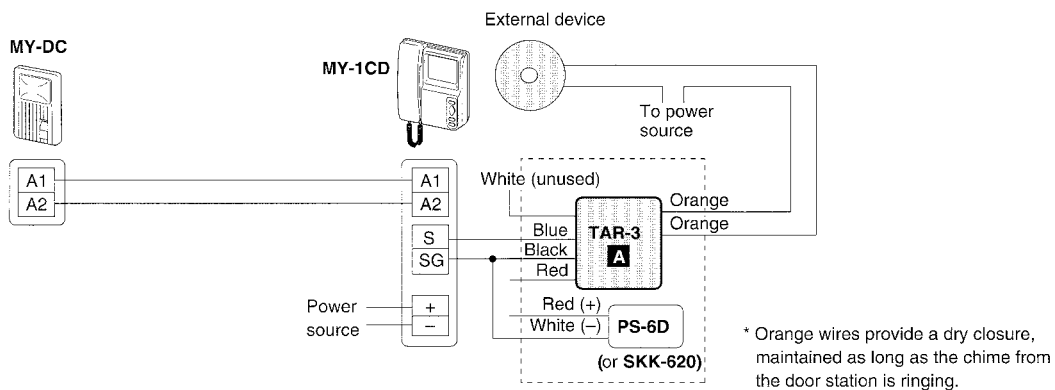


6 WIRING 1

IE chime tone with a remote doorbell

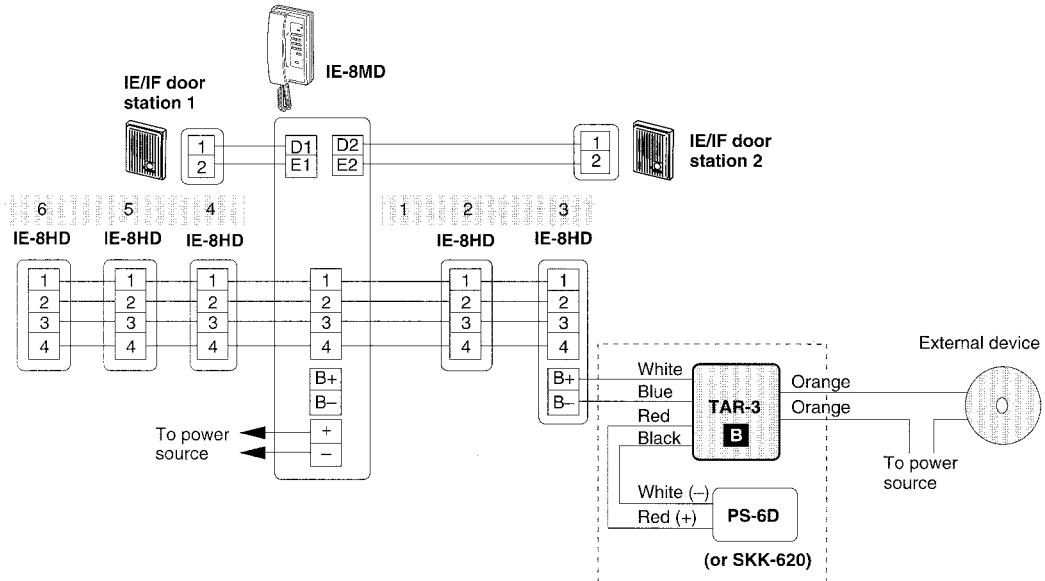


MY-1CD with activation of a remote doorbell



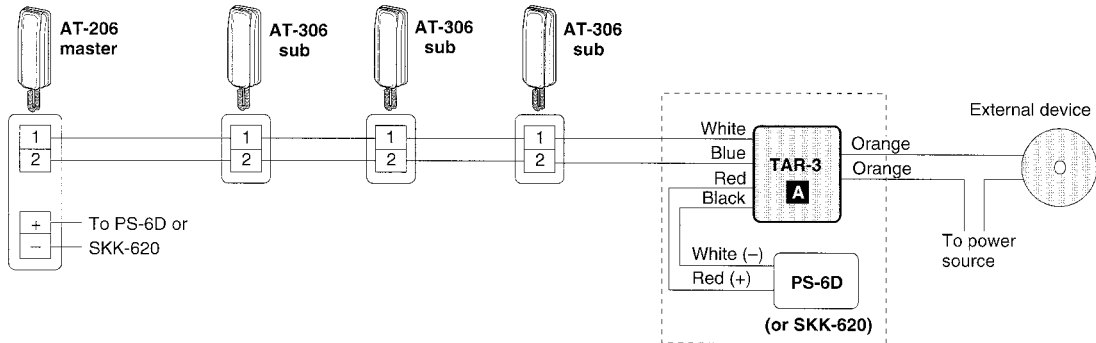
6 WIRING 2

IE-8MD or IE-8HD handset

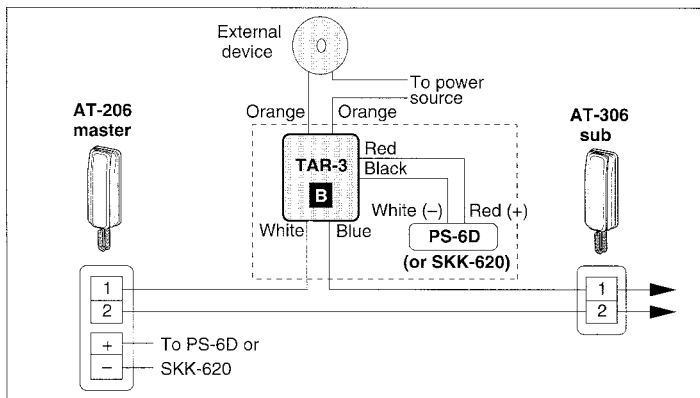


When other room or door station calls in, TAR-3 will be activated, maintained until IE-8HD3 pick up the handset.

AT-206 or AT-306 handset

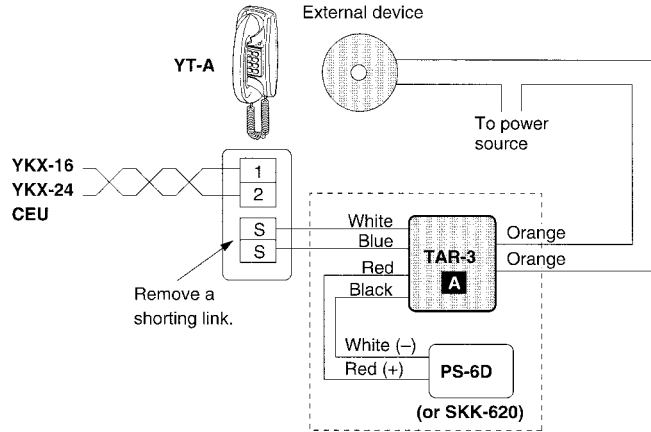


When AT-206 master calls in, TAR-3 will be activated maintained as long as AT-306 is ringing.



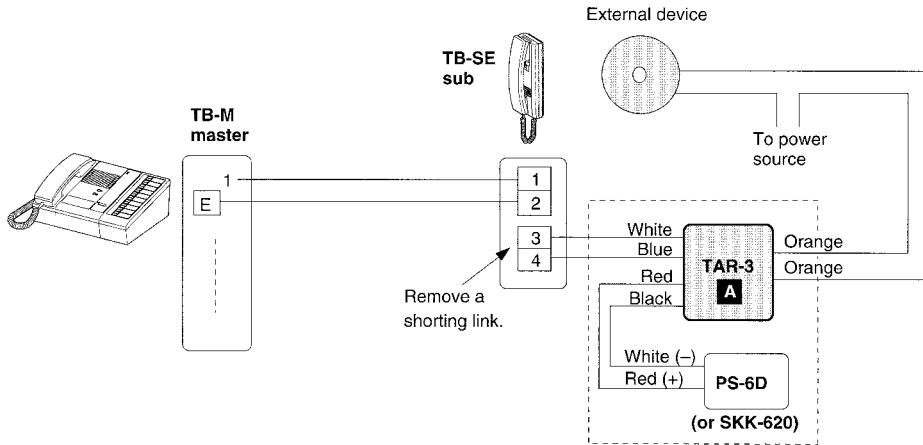
6 WIRING 3

YT-A phone extension (in YKX)



Locate TAR-3 within 100m, 330' with 0.65mm, 22AWG from the YT-A station.

TB-SE handset sub (in TB-M)



Locate TAR-3 within 50m, 170' with 0.65mm, 22AWG from the TB-SE station.

WARRANTY

Aiphone warrants its products to be free from defects of material and workmanship under normal use and service for a period of one year after delivery to the ultimate user and will repair free of charge or replace at no charge, should it become defective upon which examination shall disclose to be defective and under warranty. Aiphone reserves unto itself the sole right to make the final decision whether there is a defect in materials and/or workmanship; and whether or not the product is within the warranty. This warranty shall not apply to any Aiphone product which has been subject to misuse, neglect, accident, or to use in violation of instructions furnished, nor extended to units which have been repaired or altered outside of the factory. This warranty does not cover batteries or damage caused by batteries used in connection with the product. This warranty covers bench repairs only, and any repairs must be made at the shop or place designated in writing by Aiphone. Aiphone will not be responsible for any costs incurred involving on site service calls.

Aiphone Co., Ltd., Nagoya, Japan
Aiphone Corporation, Bellevue, WA, USA

TAR-3-I(E) 0195E

COMMUNICATION SYSTEMS
AIPHONE
HOME, BUSINESS, INDUSTRY.
Printed in Japan (E)