



Video Mounting Accessories

SBX-ACE

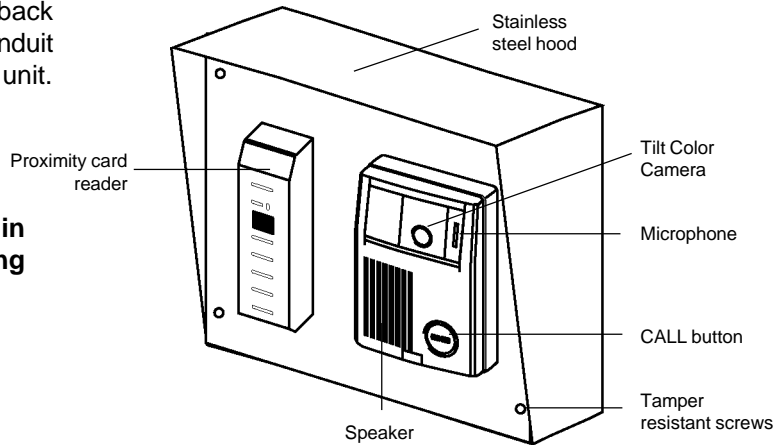
DESCRIPTION:

The SBX-ACE is a stainless steel surface mount box designed for mounting an Aiphone Door Station and Access Control device together to create a complete access control package. The unit is constructed of double-layer cold rolled brushed stainless steel, folded and welded. Openings at the bottom of the unit are to allow drainage of moisture when used in outdoor applications. Openings are provided in the back of the unit for mounting and wiring. Three conduit knockouts are provided at the bottom of the unit.

FEATURES:

- Vandal resistant stainless steel
- Mounts Intercom and Access Control device together
- Any 1-gang Audio-only or Audio Video Door Station can be used
- Blank faceplate allows wide range of mounting options
- Hooded covering to protect units from direct exposure to weather
- Tamper resistant mounting hardware

KB-DAR with Card reader in SBX-ACE housing



KMB-45

DESCRIPTION:

The KMB-45 is a 45-degree Mullion Mount Bracket for Aiphone 1-gang Door Stations. This device allows a door station to be mounted on a glass door, with wiring run in the mullion of the door frame. A channel inside the frame is provided to conceal the wiring, preventing exposure to weather and protection from vandalism. The angle of the bracket allows easy operation for visitors, and provides the optimum angle for viewing when a video door station is used. Mounting hardware is provided with the door stations.

FEATURES:

- Steel construction
- Mounts to a door mullion of a glass entry
- Weather resistant for outdoor use
- Mounts door station at 45° angle
- Mounts any 1-gang surface mount Aiphone Audio-only or Audio Video Door Station

**Example:
KB-DAR on KMB-45 Bracket**

