



# RY-24L

## Form C Door Release Relay for KB, KC, and JA Color Video Systems

### - INSTRUCTIONS -

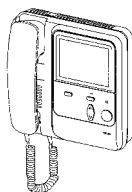
The RY-24L Door Release Relay Module is an interface between the door strike contacts on the Aiphone monitor and the actual release mechanism. The contact closure directly out of the monitor is rated at 12V AC with a low current capacity. If your strike or maglock requires more voltage or current, the RY-24L is required. It provides either a Normally Open contact for an electric strike, or a Normally Closed contact for a magnetic lock. The contact rating supports a majority of door release hardware available on the market. The RY-24L relay is recommended with all KC, KB, and JA video systems when using the door release feature. *(Note: For more than one door release on the KB system, use the RY-3DL.)*

### INSTALLATION:

1. Install in a suitable location, either near the power source for the door release mechanism, or behind the monitor.
2. Secure wire connections with proper termination, such as wire nuts or crimp connectors.
3. Trim the wires to the desired length.
4. Trim the unused contact wire so the bare strands are not exposed.

### WIRING DIAGRAMS:

KC-1GRD  
KC-1MRD



### RY-24L COLOR CODE:

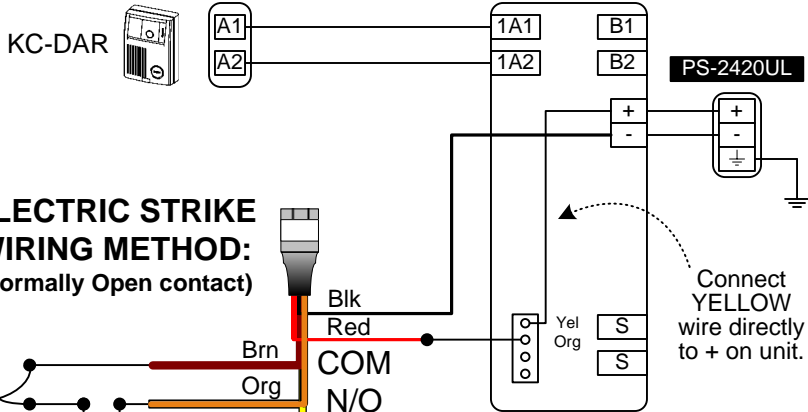
#### Input of Relay:

Red: L/ORG, Postive trigger  
Black: (-) NEGATIVE

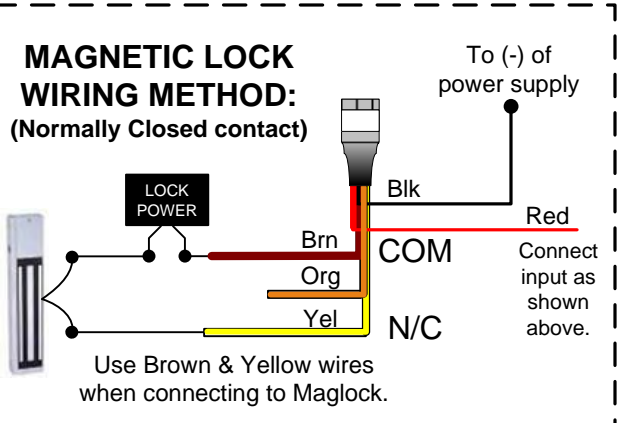
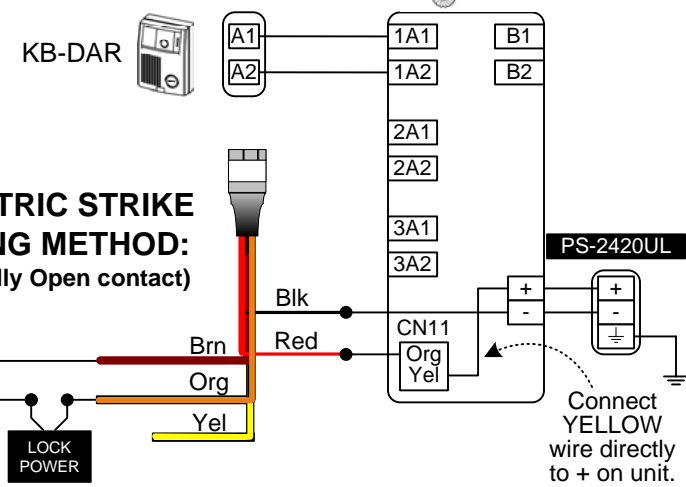
#### Output of Relay:

Brown: COMMON  
Orange: N/O Contact  
Yellow: N/C Contact

*(See contact rating specs on back page)*



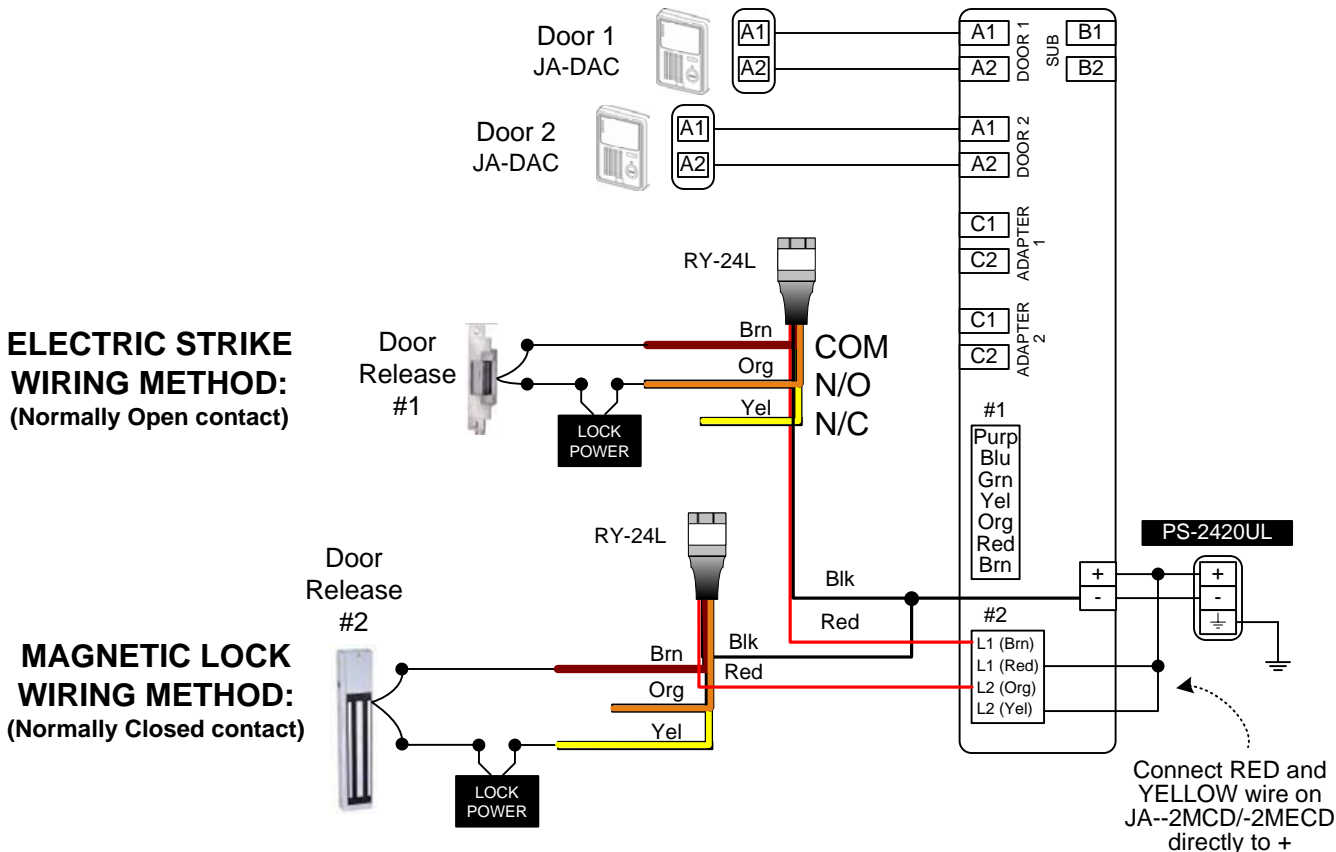
Master  
KB-3MRD



**WIRING DIAGRAMS:**

**JA OPEN VOICE COLOR VIDEO ENTRY SYSTEM**

JA-2MECD  
JA-2MCD



**ELECTRIC STRIKE  
WIRING METHOD:  
(Normally Open contact)**

**MAGNETIC LOCK  
WIRING METHOD:  
(Normally Closed contact)**

**SPECIFICATIONS:**

- Power Source: Supplied by master station
- Mounting: No mounting required
- Terminations: Color-coded prewired pigtails
- Relay Input: 24-36V DC, Red, Black wires, 22AWG
- Relay Output: Brown, Red, Orange wires, 18AWG
- N/O Output rating: 5A at 30V DC  
10A at 125V AC  
3A at 250V AC
- N/C Output rating: 3A at 30V DC or 125V AC
- Wiring: 2 conductors from monitor's door release contacts to RY-24L.  
2 conductors from RY-24L to release mechanism, with power wired in series.
- Dimensions (HxWxD): 1-3/4" x 7/8" x 7/16", with wires extending approx. 7-1/2"

Aiphone Communication Systems

TOLL FREE TECHNICAL SUPPORT: (800) 692-0200

RY-24L Instr.  
0105TBJS