

NHX-80X

Central Control Unit (CCU)



DESCRIPTION:

The NHX-80X is the control center of the CommuniCare Nurse Call system, providing microprocessor control of all calling and communication functions of the system.

The NHX-80X provides system functions for one master station, one duty station, and 50 patient and/or common area call stations. System can be expanded to 80 stations with additional trunk card (NHR-30K) installed in NHX-80X.

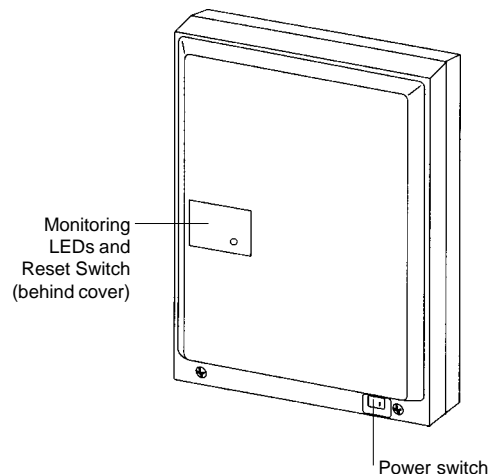
Microprocessor based, the NHX-80X controls different signaling levels from a bedside call cord, bathroom call, or cordout status from a patient station. Warning tones for disconnected stations or off-hook condition at the master station are also processed at the CCU.

The compact, wall mount design allows it to be mounted in an equipment room or cabinet, taking up little space.

All system wiring is terminated in the CCU with "screwless terminals". Wires are simply inserted into each crimp connector for fast and easy installation.

FEATURES:

- Microprocessor control of all system functions
- Compact slimline design
- All wire terminations are made inside with easy "screwless" wire connections



ARCHITECTS/ENGINEERS SPECIFICATIONS:

Central Control Unit shall be Aiphone model NHX-80X, equipped with power switch and concealed status LED indicators, constructed of high-impact, fire-retardant ABS plastic.

System capacity shall be 50 call stations, with expansion capacity to 80 stations with model NHR-30K additional trunk card, installed inside NHX-80X.

All system functions shall be controlled from NHX-80X, including call signaling, communication, duty station, and zone light control. The NHX-80X shall detect if any patient station becomes disconnected from the system or if the handset is left off-hook for more than 90 seconds, and shall send a warning tone to the master and duty station.

All system wiring shall be terminated inside NHX-80X with screwless wire connectors. Each trunkage line from CCU shall contain up to 10 call stations (NH-1SA, NH-2SA, NHR-3TS), wired in a daisy-chained fashion. System shall have a maximum of eight (8) trunkage lines. Master station, duty station, 4-zone indicator light, and power supplies shall be wired directly to NHX-80X.

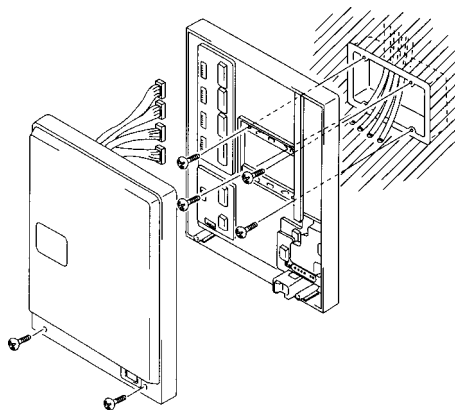
Physical size of the CCU shall not exceed 18-1/8" x 13-3/8" x 3-7/8". NHX-80X shall be mounted on UL listed 3-gang box or inside UL listed electrical enclosure. The size of the electrical enclosure shall be more than 23-3/4" x 19-3/4" x 4", with a secured door and a suitable non-combustible mounting surface inside the enclosure.

Equipment shall be UL 1069 listed, and system components shall be provided by a manufacturer having ISO 9001 certification for quality standards.

CONTROLS AND INDICATORS:

- POWER switch
- Under cover:
 - System monitoring LEDs (4)
 - Reset switch

MOUNTING:



SPECIFICATIONS:

- Power source: 24V DC. Use two (2) PS-24E.
- Current Consumption: Max. 4A
- Capacity: 50 stations. For 80 station capacity, add NHR-30K Additional Trunk Card.
- Talk channel: 1 private channel
- Wiring: All wire is twisted, shielded, low capacitance (12 pF/Ft).
 5 twisted pair to NHX-50M Master Station
 Aiphone wire #862210
 3 twisted pairs to NHR-SP Duty Station
 Aiphone wire #862208
 3 twisted pairs (plus 1 wire for zone light) trunkage line to patient stations
 Aiphone wire #862208
 5 conductors to NHR-3A-4 Zone Light
 Aiphone wire #841806
- Wiring Distance: **22AWG**
 65' to NHX-50M
 65' to NHR-SP
 165' to farthest patient station (ea. trunk)
 330' Max. wire distance per trunk line, including wire length t-tapped to each patient station from trunk line.
18AWG
 165' to NHR-3A-4
 16' to PS-24E
- Material: High impact ABS fire-retardant plastic
- Dimensions (H x W x D): 18-1/8" x 13-3/8" x 3-7/8"
- Certification: UL 1069 Listed
 C-UL Canadian Standard C22.2

Product specification subject to change without notice.

