

NH-1SA

Single Patient Station



DESCRIPTION:

The NH-1SA is a patient station with a jack for one bedside call cord. The NH-2SA is a patient station with jacks for two bedside call cords.

The patient station provides call annunciation and two way hands free communication with the master station. The cancel button allows the call to be reset at the patient station location.

The corridor lamp and bathroom pull cord for each room are wired to the patient station, with all tone and light signaling and communication processed through the common trunkage wiring.

OPERATION:

When the bedside call button is pressed, a routine call is registered at the master station, and the red CALL LED is lit on the patient station. When the call is answered at the master station, the green TALK LED is lit. The person at the patient station speaks hands free.

If the bedside call cord is pulled out of the jack, a fast call tone will be heard at the master station (and duty station), and the white corridor lamp will flash. Cord must be reinserted into the jack to reset the call.

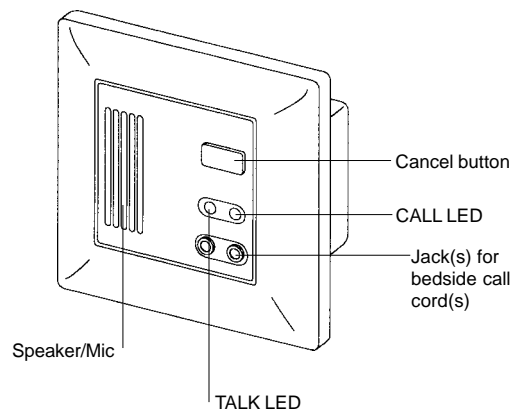
NH-2SA

Dual Patient Station



FEATURES:

- Hands free two-way communication
- Compact, flush mount design
- Jack for one or two bedside call cords
- Cancel button
- Red Call LED indicator
- Green Talk LED indicator
- Easy common trunkage wiring
- Bathroom pull cord and corridor lamp wire directly to patient station



ARCHITECTS/ENGINEERS SPECIFICATIONS:

Patient station shall be Aiphone model NH-1SA for one bedside call cord, or NH-2SA for two bedside call cords, constructed of high-impact ABS fire-retardant plastic, with speaker/mic, CANCEL button, red CALL LED, and green TALK LED.

Call initiated from bedside call cord shall announce a routine call at the master station. White corridor lamp shall illuminate, remaining steadily lit until the call is answered at the master or reset at the patient station. Call LED shall remain lit at the patient station until the call is answered or reset.

When master station answers the call, the TALK LED shall illuminate (green). Communication is hands free at the patient station.

In the event that a bedside call cord is removed from the patient station, a fast call tone shall be heard at the master station, and the corridor lamp shall flash white. To reset the call, the call cord must be reinserted into the jack. If no bedside call cord is being used, a dummy plug (NHR-DP) shall be inserted into call jack for proper system operation.

Wiring to CCU shall not exceed 3 twisted pair if no zone indicator light is included, or 3 twisted pair plus one wire if a zone indicator light is used. Cable size greater than 22AWG shall not be acceptable.

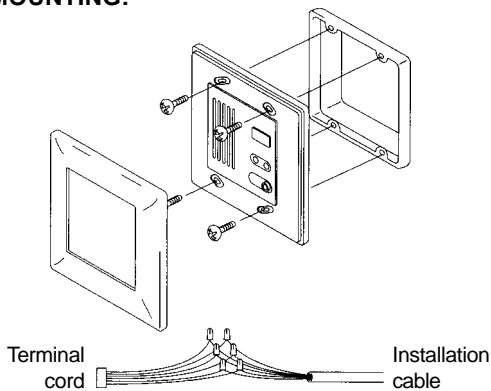
Physical size of the patient station shall not exceed 4-3/4" high by 4-9/16" wide, and shall flush mount into a standard 2-gang electrical box.

Equipment shall be UL 1069 listed, and system components shall be provided by a manufacturer having ISO 9001 certification for quality standards.

CONTROLS AND INDICATORS:

- Jack(s) for bedside call cord (NHR-8A)
- Red CALL LED
- Green TALK LED
- Cancel button
- Speaker/microphone

MOUNTING:



SPECIFICATIONS:

Power source:	Provided by NHX-80X
Communication Output:	100mW @ 20 ohms
Communication:	Press-to-talk, release-to-listen at master station, or Handset (VOX)
Capacity:	Up to 80 stations
Signal-to-Noise Ratio:	More than 30dB (Transmit & Receive)
Frequency Response:	300Hz ~ 3.4KHz
Total Harmonic Distortion:	Less than 3% (Transmit & Receive)
Wiring:	3 twisted pair shielded low capacitance cable (12 pF/Ft) from NHX-80X Aiphone #862208 With NHR-3A-4 Zone Indicator Light: 3 twisted pair + 1 common wire per zone Aiphone #862208
Wiring Distance:	165' to farthest patient station 330' Max. trunkage line distance (per trunk), including length of trunk line, plus wire length t-tapped to each patient station from trunk line.
Material:	High impact ABS fire-retardant plastic
Color:	White
Dimensions (H x W x D):	NH-1SA, NH-2SA 4-1/2" x 4-9/16" x 1-13/16"
Certification:	UL 1069 Listed C-UL Canadian Standard C22.2

Product specification subject to change without notice.

