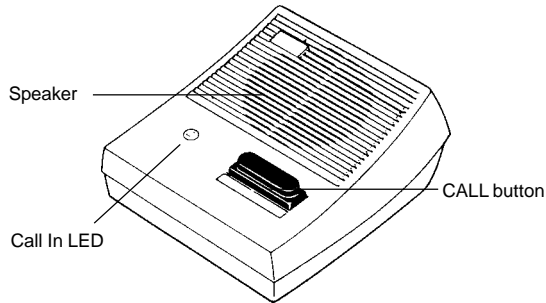




## SPECIFICATIONS

# NEM-Series Sub Stations

### NA-A



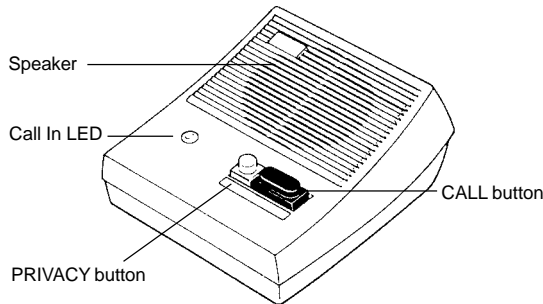
### NA-A FEATURES:

- Push button to call master station
- Latching tone and light at master until answered
- Call-in LED on sub remains illuminated until call is answered by master
- Hands free communication when master answers
- Desk or wall mount
- Mounts to 1-gang box or ring (wall mount)
- Pre-tone when master calls any sub

### COMMON SPECIFICATIONS:

System: NEM  
Speaker: 20 ohms  
Conductors: 2 Wires homerun or  
1 common plus 1 individual wire looped  
Wiring Distance: 420' w/22AWG; 1000' w/18AWG  
Call-in: Latching tone and light at master until answered  
Communication: Handsfree at sub

### NA-AN



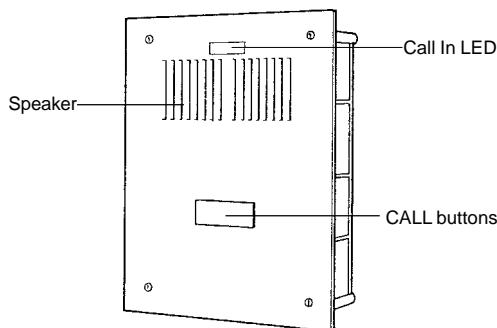
### NA-AN FEATURES:

- Privacy feature blocks unwanted monitoring from master
- Push button to call master station
- Latching tone and light at master until answered
- Call-in LED on sub remains illuminated until call is answered by master
- Desk or wall mount
- Mounts to 1-gang box or ring (wall mount)
- Pre-tone when master calls any sub

### Common Specifications, plus:

Privacy button to prevent monitoring.

### NA-NE



### NA-NE FEATURES:

- Push button to call master station
- Latching tone and light at master until answered
- Call-in LED on sub remains illuminated until call is answered by master
- Wall mount
- Flush mounts into provided box
- Optional surface mount box (NBX-2) available
- Pre-tone when master calls any sub

### Common Specifications, plus:

Mounting: Flush mount into provided box  
Dimensions: 6-1/4" x 8-5/8" x 2-5/8"