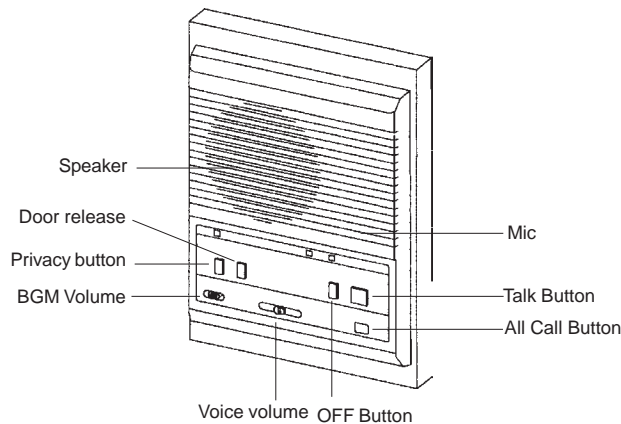


LEF-1C

Sub Master Station



DESCRIPTION:

The LEF-1C is an open voice sub master station for the Aiphone Master Sentry series. It provides door answering and door release, as well as the ability to make an All Call announcement throughout the system. Music can be heard through every station. The LEF-1C is for use in systems containing the BG-10C, which provides door chime, All Call and music. Music and voice volume controls are included.

A call from the door station sounds a 4-stroke chime at all master and sub master stations. To answer, press to talk and release to listen at the LEF-1C. The person at the door station speaks hands free. A door release mechanism can be activated by pressing the door release button.

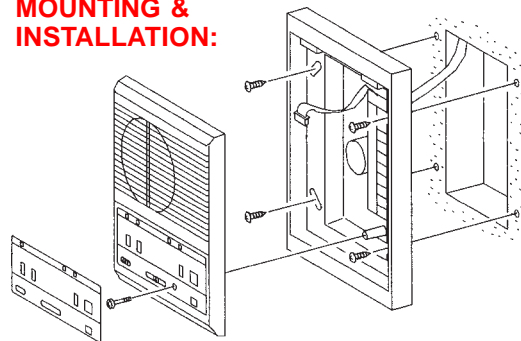
To place an "All Call", press and hold the "All Call" button while making an announcement. A short pre-tone will precede the All Call at the other stations. There is no hands free reply after placing an All Call. However, other masters and sub masters can respond by using their "All Call" button.

The LEF-1C flush mounts into a wall. Additional sub and master stations are available in surface or flush mount styles. Outdoor stations are available in surface or flush mount styles.

FEATURES:

- 4-stroke chime from door station
- Press-to-talk communication at master
- Hands free communication at door
- All Call allows communication to all masters and sub masters in the system simultaneously
- Monitor entry area undetected from inside
- Voice and background music volume controls
- Will function in any LEF system where the BG-10C is included
- Door release

MOUNTING & INSTALLATION:



ARCHITECTS/ENGINEERS' SPECIFICATIONS:

Sub master shall be used in Aiphone Master Sentry systems containing either a BG-10C All Call and Chime adaptor.

The intercom system shall be of an open voice type with a TALK button to answer the door. System shall be fully intermixable with other LEF-series masters or sub stations. Master station shall be simplex operation, with hands free reply from the door station.

Sub-master station shall be equipped with TALK button for simplex operation, OFF button for standby mode, and PRIV (privacy) button to block unauthorized monitoring. An All Call button shall be provided for initiation of an announcement throughout the system. A button shall be provided to activate a door release mechanism associated with the door station. Voice volume control shall adjust transmit and receive volume at the calling master station, and a background music volume control shall control incoming music. A call from a sub or door shall be annunciated by a 4-stroke chime. The Occupied LED shall light to indicate that the system is in use, and the Off LED shall light as reminder to return the station to standby mode.

Master station shall flush mount into a wall. An optional backbox (BBX-1E) shall be available for ease of installation.

Optional equipment shall be available to provide chime from the door station, All Call from a master station, and background music distribution to all or selected sub or master stations in the system.

Wiring shall be multiple conductors with an overall shield inside a single jacket, including nine (9) common wires, plus one (1) individual wire per station in the system. One (1) additional wire required if door release is included. One (1) additional wire required if video is included. Maximum 12 conductors per station (11 common +1 individual).

Manufacturer must have earned ISO 9001 certification for quality standards.

SPECIFICATIONS:

- Power source: 12V DC, 300mA per station. Use PS-1225UL
- Output: 800mW @ 20 ohms (reception), 500mW @ 20 ohms (transmission)
- Communication: Press-to-talk, release-to-listen at master station. Hands free response.
- Talk channel: 1 talkpath. Occupied LED when in use.
- Capacity: 1 door station
- Wiring: 11 common wires plus 1 individual wire per station, looped.
Sub stations: 2 common wires , plus 1 individual wire per station, looped or homerun.
- Wiring Distance: 650' w/22AWG; 1600' w/18AWG
- Speaker sensitivity: 40dB
- Total Harmonic Distortion: Less than 5% at rated output power
- Signal to Noise Ratio: 60dB
- Frequency Response: -3dB, 770-6800Hz.
- Dimensions LEF-1C
(H x W x D): 8-1/4" x 6-1/8" x 1-3/8"

