

JK-1MED

Master Monitor Station with Memory for the JK Series



DESCRIPTION:

The JK-1MED is the master monitor for the JK series PanTilt & Zoom video entry security system. This system will support 1 video door station and 2 inside color monitor stations.

The JK series offers a 170° camera view and gives the user the ability PanTilt and Zoom the camera to a desired area for a better view of the visitor.

The JK-1MED has a built in picture memory feature that can be set to record automatically when the visitor calls, or the record can be done manually by the user. Up to 40 images can be recorded at a rate of 1 frame per second and 6 frames per image (240 total frames). Up to 10 images (60 frames) can be saved and protected from automatic overwriting.

The JK series offers a backlight/night sensitivity adjustment. In low light (night time) and heavy background light (sunny day) situations, the user can press the ADJUST button to improve the image quality to aid them in identifying the visitor.

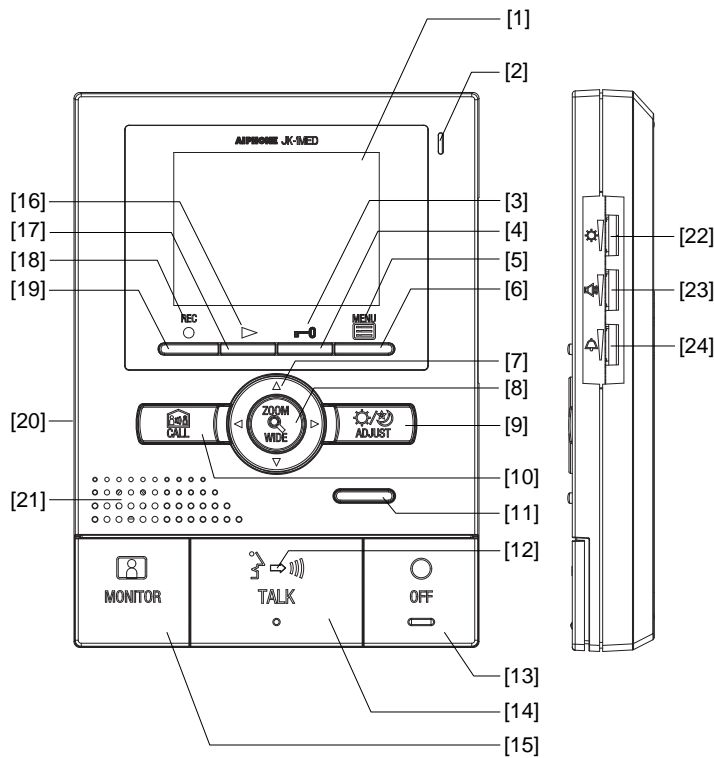
FEATURES:

- Hands free audio communication
- Door release
- Call between inside monitors
- Internal Picture Memory
- Select from 5 different display languages (English, French, Italian, Spanish or Dutch)
- Communication time adjustment
- PanTilt & Zoom control for camera
- External Sensor Input
- Simple 2-conductor wiring
- Surface mounts to wall on 1-gang box or ring
- ABS plastic construction

JK-1MED

Master Monitor Station with Memory for JK Series

FEATURE CALL-OUTS:



FEATURE CALL-OUT DEFINITIONS:

- [1] Color LCD video monitor (3-1/2")
- [2] Microphone
- [3] Door release LED (red)
- [4] Door release button
- [5] Menu LED (red)
- [6] Menu button
- [7] Pan/Tilt button
- [8] Zoom/Wide button
- [9] Light adjust button
- [10] Call button
- [11] Option button
- [12] Transmit LED (red)
- [13] Off button
- [14] Talk button
- [15] Monitor button
- [16] Play LED (red)
- [17] Play button
- [18] Record LED (red)
- [19] Record button
- [20] Power switch
- [21] Speaker
- [22] Screen brightness control (0~10)
- [23] Receive volume control (0~10)
- [24] Chime tone volume control (0~10)

SPECIFICATIONS:

- Power Source: 18VDC, PS-1820UL
- Call: Varying ring tones from door based on how set in the Menu
- Communication: Hands-free (VOX) after TALK button is pressed once, or push-to-talk
- Capacity: 1 door, 2 monitors
- Wiring: 2-conductor, PE insulation, Aiphone wire #871802 from doors & #871804 between monitors
- Wiring Distance: Door to farthest monitor, 330'
- Talk Path: Single channel
- Operating Temp: 32 – 104° F (0 ~ 40° C)
- Dimensions (HxWxD):
 7-5/16" x 5-5/16" x 1-1/16"
 (185 x 135 x 27 mm)
- Weight: 0.86 lbs (390g)