

JK-1MD

Master Monitor Station for the JK Series



DESCRIPTION:

The JK-1MD is the master monitor for the JK series PanTilt & Zoom video entry security system. This system will support 1 video door station and 2 inside color monitor stations.

The JK series offers a 170° camera view and gives the user the ability PanTilt and Zoom the camera to a desired area for a better view of the visitor.

The JK series offers a backlight/night sensitivity adjustment. In low light (night time) and heavy background light (sunny day) situations, the user can press the ADJUST button to improve the image quality to aid them in identifying the visitor.

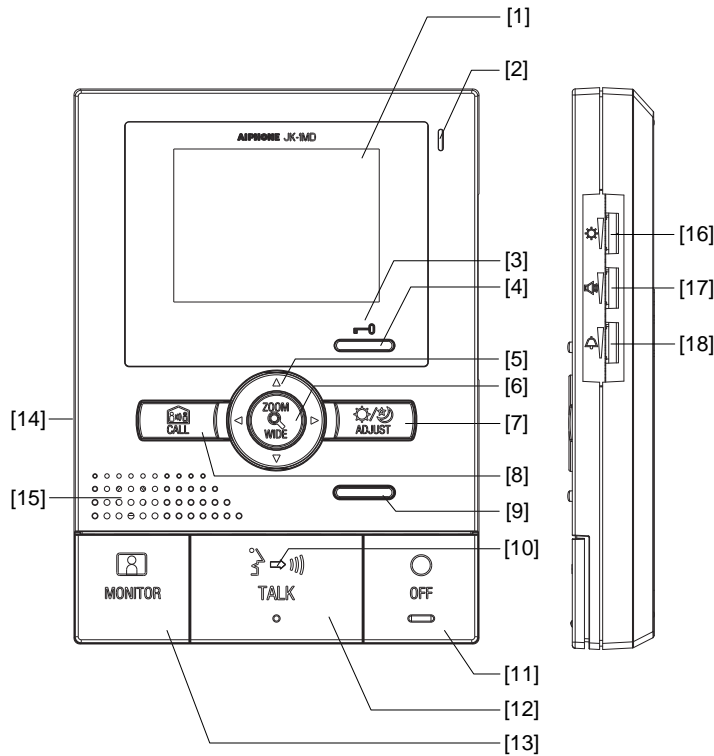
FEATURES:

- Hands free audio communication
- Door release
- Call between inside monitors
- PanTilt & Zoom control for camera
- External Sensor Input
- Simple 2-conductor wiring
- Surface mounts to wall on 1-gang box or ring
- ABS plastic construction

JK-1MD

Master Monitor Station for JK Series

FEATURE CALL-OUTS:



FEATURE CALL-OUT DEFINITIONS:

- [1] Color LCD video monitor (3-1/2")
- [2] Microphone
- [3] Door release LED (red)
- [4] Door release button
- [5] Pan/Tilt button
- [6] Zoom/Wide button
- [7] Light Adjust button
- [8] Call button
- [9] Option button
- [10] Transmit LED (red)
- [11] Off button
- [12] Talk button
- [13] Monitor button
- [14] Power switch
- [15] Speaker
- [16] Screen brightness control (0~10)
- [17] Receive volume control (0~10)
- [18] Chime tone volume control (0~10)

SPECIFICATIONS:

- Power Source: 18VDC, PS-1820UL
- Communication: Hands-free (VOX) after TALK button is pressed once, or push-to-talk
- Capacity: 1 door, 2 monitors
- Wiring: 2-conductor, PE insulation, Aiphone wire #871802 from doors & #871804 between monitors
- Wiring Distance: Door to farthest monitor, 330'
- Talk Path: Single channel
- Operating Temp: 32 – 104° F (0 ~ 40° C)
- Dimensions (HxWxD):
7-5/16" x 5-5/16" x 1-1/16"
(185 x 135 x 27 mm)
- Weight: 0.82 lbs (370g)