

GH-1AD

Audio Only Tenant Station for the GH Series



DESCRIPTION:

The GH-1AD is an audio only tenant station for the GH series Multi-Unit entry system. It is equipped with a Talk, Door Release, and optional service button. When a visitor calls, the tenant stations rings, and is answered by one touch of the Talk button.

The GH-1AD also has the capability of calling the Concierge/Security Guard stations(s), turning on a light while speaking with a visitor at the entrance, receiving an emergency tone from a panic call station, and releasing a door.

The GH-1AD is designed to be surface mounted, and has a slim, streamlined design. Up to four GH-1AD units can be used in the same tenant location.

Communication is hands-free at the entrance station when a tenant answers the call, and is either VOX hands-free or push-to-talk at the tenant station when speaking with the visitor.

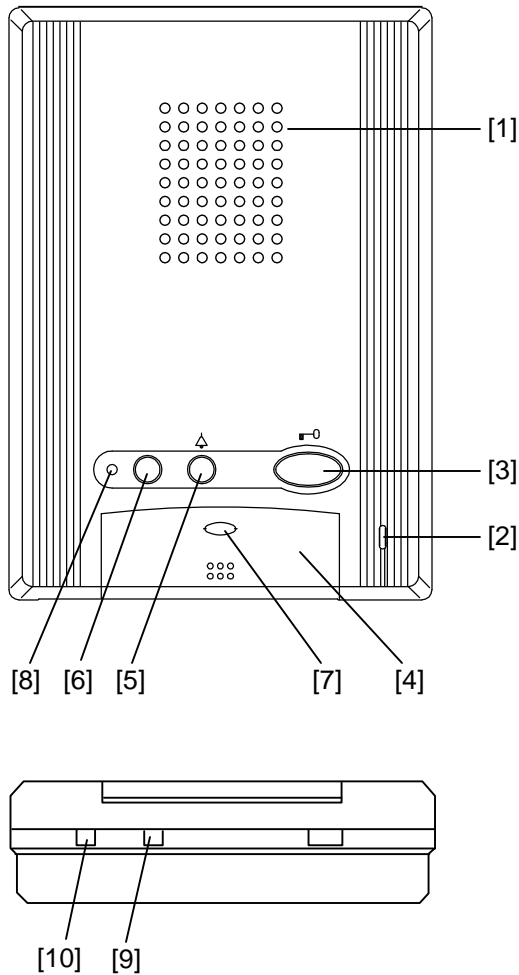
FEATURES:

- Hands free audio communication
- Door release to the door where communication is established
- Call to Security Guard / Concierge station
- Optional individual doorbell rings unique tone, notifying resident that someone is at their door.
- Optional activation of outside light while talking to entrance station
- Optional connection of panic call station (GFK-PS), alerting with tone and call to Concierge
- Separate volume controls for call tone and communication
- Simple 2-conductor common bus wiring
- Surface mounts to wall on 1-gang box or ring
- ABS plastic construction

GH-1AD

Audio Only Tenant Station for GH Series

FEATURE CALL-OUTS:



FEATURE CALL-OUT DEFINITIONS:

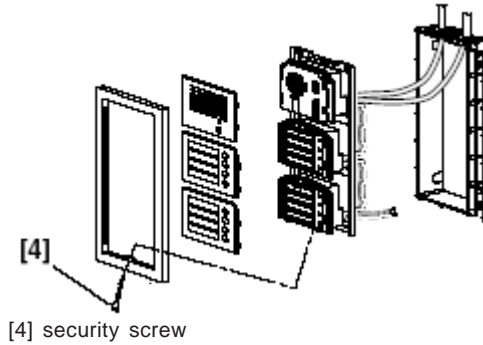
- [1] Speaker
- [2] Microphone
- [3] Door release button
- [4] Talk button
- [5] Light button / Security guard station call button
- [6] Service button (option)
The service button is standard equipment with the GH-1AD-SB.
- [7] Talk LED
- [8] Call tone off LED
- [9] Receive volume control
- [10] Call tone volume control

SPECIFICATIONS:

- Power Source: Supplied by system
- Call: Varying ring tones from entrance panel, concierge, or doorbell
- Communication: Hands-free (VOX) after TALK button is pressed once, or push-to-talk
- Capacity: Max. 4 tenant stations per resident location
- Wiring: 2-conductor, PE insulation, common bus
- Wire: Aiphone #87200250C, 2 cond. PE insulated, non-shielded, 11.05 pf/ft
- Wiring Distance: GH-BC to farthest Tenant (Audio line): 980' with 20AWG
- Talk Path: Single channel with privacy
- Operating Temp: 32 – 104° F (0 ~ 40° C)
- Dimensions (HxWxD):
6-7/8" x 4-15/16" x 1-1/4"
(175 x 125 x 32 mm)
- Weight: 0.7 lbs (330g)

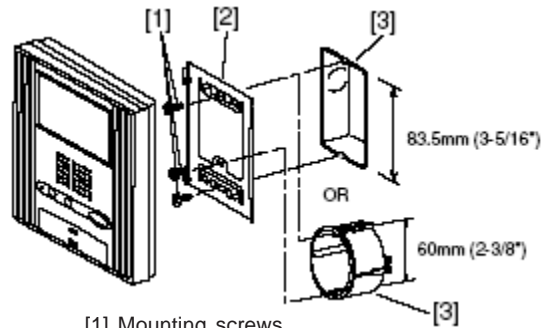
MOUNTING & INSTALLATION:

**Entrance Station
(Example)**



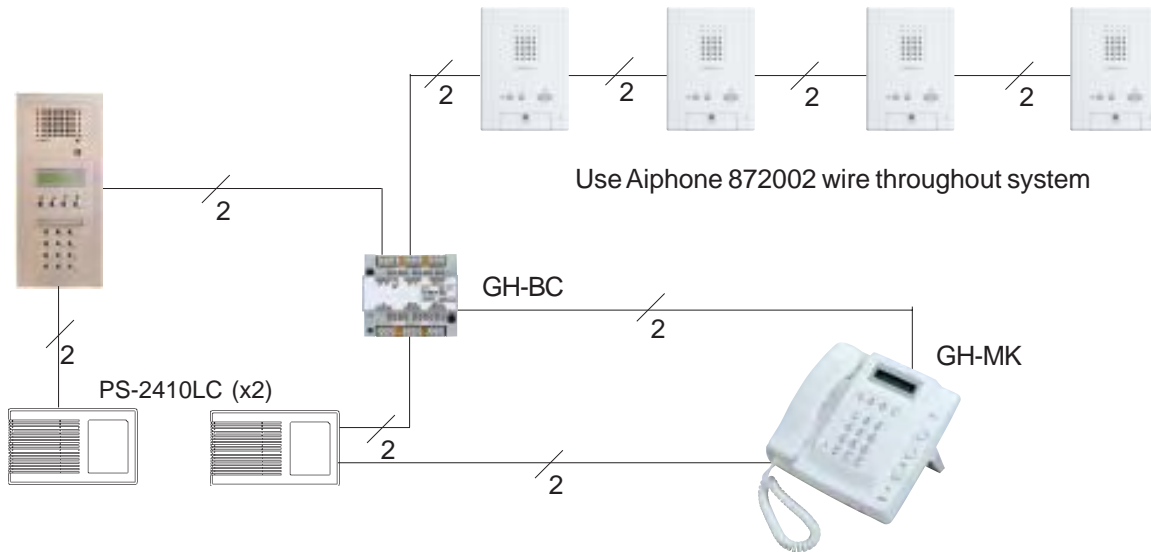
[4] security screw

**Wall Mount GH-1AD
(To a one-gang box)**



[1] Mounting screws
 [2] Mounting bracket
 [3] 1-gang box or ring

System Layout Example:



SPECIFICATIONS:

Power:	Supplied by system
Calling:	Varying ring tones from entrance panel, concierge, or doorbell
Communication:	Hands free (VOX) after TALK button is pressed once, or push-to-talk
Capacity:	Max. 4 tenant stations per resident location
Wiring:	2-conductor, PE insulation, common bus
Wire:	Aiphone #872002, 2 conductor PE insulated, non-shielded, 11.05 pf/ft.
Wiring Distance:	GH-BC to farthest Tenant (Audio line): 980' with 20 AWG
Talk Path:	Single channel with privacy
Dimensions:	6-7/8" H x 4-15/16" W x 1-1/4" D