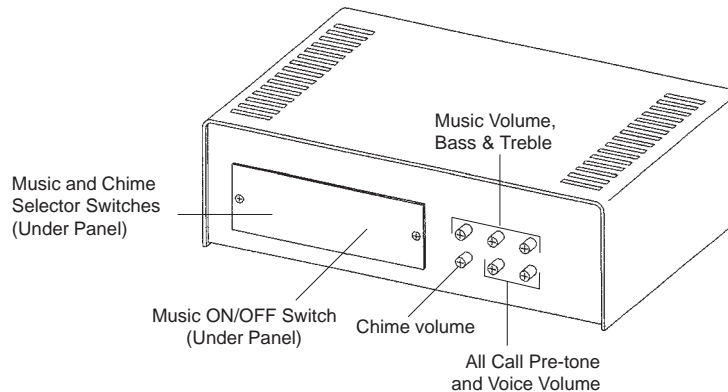




SPECIFICATIONS

BG-10C

All Call and Chime Adaptor



DESCRIPTION:

The BG-10C is an All Call and Chime adaptor for the Master Sentry Series. It has a built-in All Call amplifier, chime generator and input for background music.

A call from the door station sounds a 4 stroke chime at all master and sub master stations. To answer, select the illuminated station button on the master, press the "talk" button and speak to the door, release the "talk" button to listen. The person at the door station speaks hands free.

The voice and music volumes are adjustable at LEF-C masters, voice volume is adjustable at the LEF-10S master. If music is included in the system it will mute automatically while communicating within the system or to the door station.

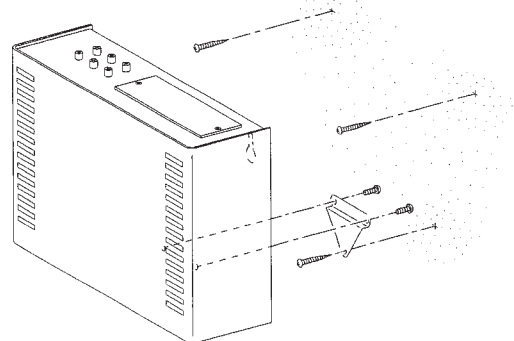
To place an "All Call", press and hold the "All Call" button while making an announcement. A short pre-tone will precede the All Call at the other stations. There is no talk back while placing an All Call. However, other masters and sub masters can respond by using their "All Call" button.

The BG-10C surface mounts onto a wall. LEF series master stations are available in surface or flush mount styles. Sub and outdoor stations are available in surface or flush mount styles.

FEATURES:

- All call adaptor and amplifier
- Provides a 4 stroke chime from door station
- Music and All Call volume controls
- Music and chime distribution switches
- Music Bass and Treble controls
- Music On/Off master switch
- Will function in any LEF or LEF-C system to provide background music and chime form door
- Provides All Call in any LEF-C system and in systems incorporating the LEF-10S

MOUNTING & INSTALLATION:



ARCHITECTS/ENGINEERS' SPECIFICATIONS:

The BG-10C; All Call, Chime adaptor shall only be included in Master Sentry intercom systems.

The unit shall include Music, Chime, All Call and all Call pre-tone volume controls, music tone and bass controls. Individual station switches to control music and chime distribution to each station. A separate switch shall be provided to switch music on or off to all stations.

The BG-10C shall operate using a 12V DC, 2.5 Amp power supply. The BG-10C shall provide 800 mW @ 20 ohms per station to up to eleven stations. 10 Watts maximum. Any LEF-C and the LEF-10S shall have the ability to initiate an All Call. All LEF series masters shall receive the All Call, chime and music. LE-C and LE-CN sub station shall receive the all call, chime and music. Other LE series sub stations shall receive the all call, chime and music with the addition of a capacitor.

The BG-10C shall surface mount to a wall or be placed on a desk or shelf.

Wiring shall be multiple conductors with an overall shield inside a single jacket, including eight (10) common wires, plus one (1) individual wire per station in the system. Maximum 19 conductors.

Manufacturer must have earned ISO 9001 certification for quality standards.

SPECIFICATIONS:

Power source:	12V DC, 2.5A. Use PS-1225UL. (Powers LEF system and BG-10C.)
Current Consumption:	100mA (Standby) Max. 2.5A (Music, Chime & All Call)
Output:	800mW @ 20 ohms per station, 11 stations max.
All Call Initiation:	From any LEF-C master or sub master. Also from LEF-10S.
All Call Reception:	Any LEF series master station. LE-C, CN sub stations. Other LE series sub stations with capacitor (NP-25V).
Chime Initiation:	Any LE, LS or MY Series door station; Maximum 3. MY series door stations require video adaptor.
Chime Reception:	All LEF series master stations. LE-C, CN sub stations. Other LE series sub stations with capacitor (NP-25V).
Wiring:	Multi-conductor with overall shield.
BG-10C to LEF	19 Conductors (Use Aiphone #822220)
BG-10C to LE Series Door station:	3 Conductors (Use Aiphone #822203)
BG-10C to MYW-P3L:	7 Conductors (Use Aiphone #822210)
Wiring Distance:	(Between BG-10C and farthest LEF) 650' w/22AWG; 1600' w/18AWG
Dimensions (H x W x D):	6-1/2" x 10" x 3"
Weight:	3.97 lbs. (Approx.)

