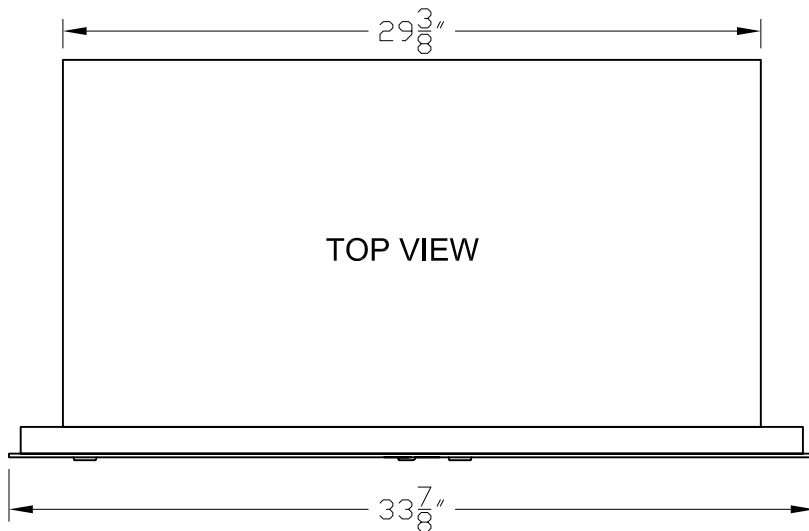


Cabinet Model: D1D2P1



**Distributed By:**  
**LEE DAN COMMUNICATIONS, INC.**  
[www.leedan.com](http://www.leedan.com) [info@leedan.com](mailto:info@leedan.com)  
**Toll-Free: 800-231-1414**

<b>2B GLOBAL INC.</b>	
<small>DRAWING NO.</small> 2B-USPS-D1D2P1-STD-01	<small>DRAWING TITLE:</small> Horizontal Mailboxes - Std 4C
<small>DATE</small> 20 FEB 2009	<small>FRONT LOADING ADA48 SERIES</small>
<small>SCALE</small> 1:1   <small>SIZE</small> L	<small>REVISION NO.</small> 0   <small>SHEET</small> 1 OF 1