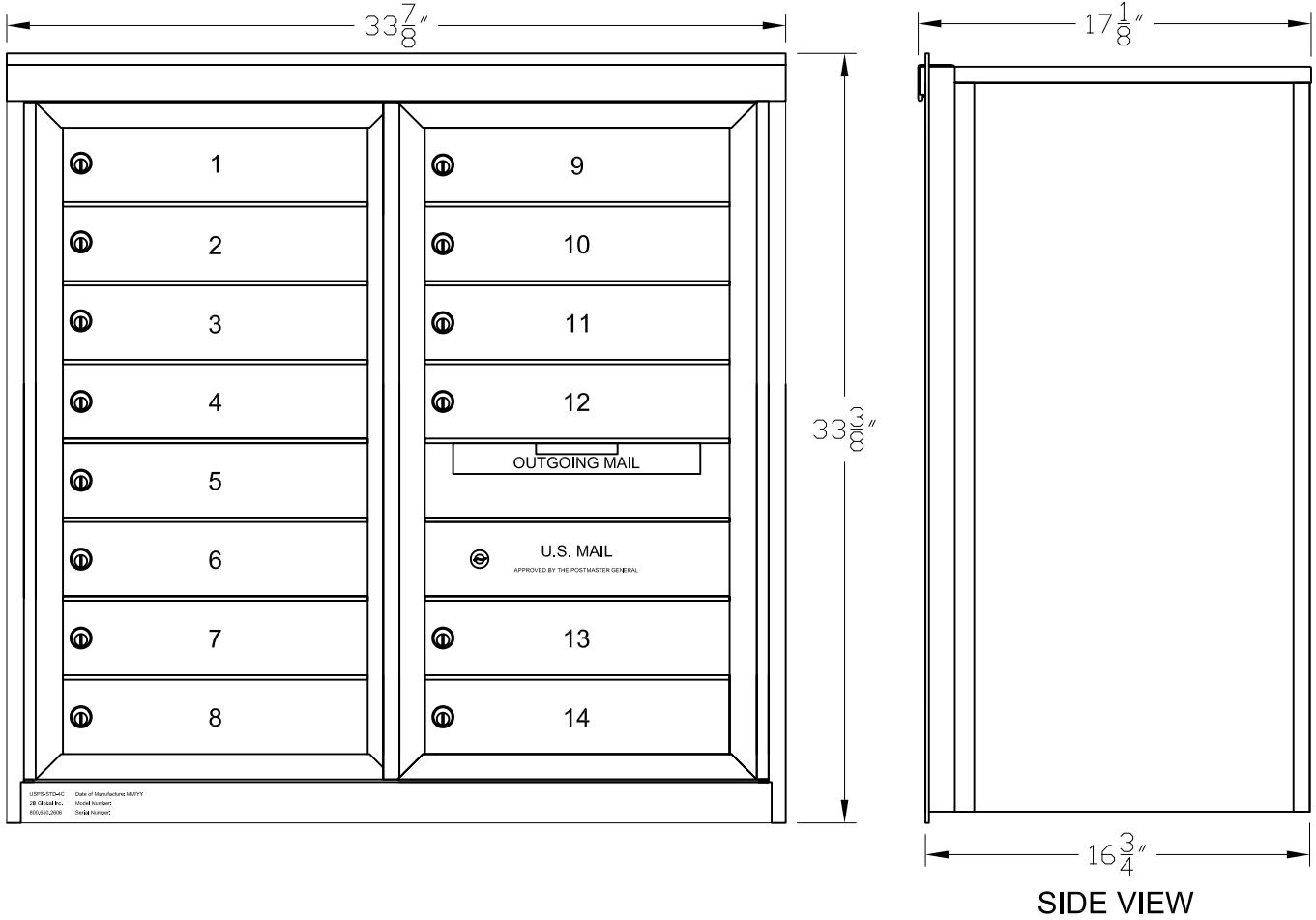
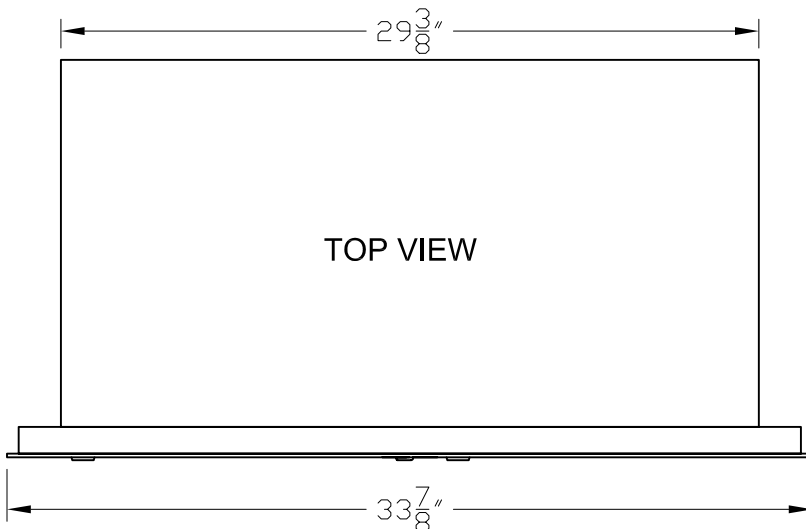


Cabinet Model: D14



USPS®/TM/SMC Date of Manufacture: 08/07/09
 2B Global Inc. Model Number:
 8503512003 Serial Number

TOP VIEW



Distributed By:
LEE DAN COMMUNICATIONS, INC.
www.leedan.com info@leedan.com
Toll-Free: 800-231-1414

2B GLOBAL INC.			
DRAWING NO. 2B-USPS-D14-STD-01		DRAWING TITLE: Horizontal Mailboxes - Std 4C	
DATE 20 FEB 2009		FRONT LOADING ADA54 SERIES	
SCALE 1:1	SIZE L	REVISION NO. 0	SHEET 1 OF 1