



Adaptatone® Electronic Signal

*Explosionproof, Diode
Polarized, Single Output*

5533MD-AW

FEATURES

- > Stand-alone. 55 tone capability - No additional tone modules needed
- > Diode polarized for supervised signaling circuits
- > Internal volume control
- > Corrosion resistant heat flowed epoxy finish

AGENCY APPROVALS

- > UL 464 and UL1203
- > UL Listed for Class I, Division 1 and 2, Groups B, C, and D hazardous locations

SPECIFICATIONS

- > Speaker swivels 180° vertically or horizontally depending on orientation of mounting bracket
- > 30" (762mm) numbered wire leads
- > Supplied with factory sealed 1/2" (13mm) threaded fitting for quick installation
- > Heavy duty zinc cast construction

The Edwards 5533MD Adaptatone Signal is an explosionproof, heavy-duty industrial, tone-selectable, signaling device capable of producing volume-controlled, high-decibel tones. The signal delivers one audible output signal selected from the 55 tones available. The tone may be selected by setting a miniature switch within the unit. For more information on priority tone operation and a complete listing of all 55 tones.

The 5533MD Adaptatone mounts on any surface using three bolts.

The 5533MD Adaptatone is designed for hazardous location applications requiring electrical supervision of signaling circuit field wiring. The signal may also be used for unsupervised signaling applications. Typical applications include signaling use in mining, granaries, flour mills, tankers, refineries, laboratories, spray booths, and other hazardous locations.

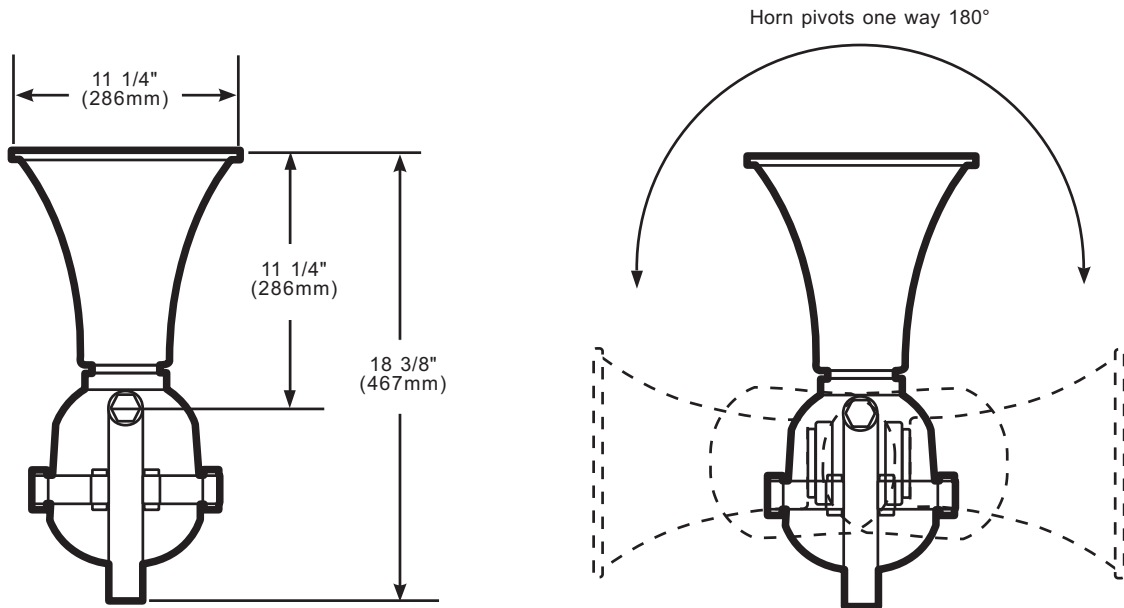


Edwards is a registered trademark
of GE Security



Edwards is a registered trademark
of GE Security

TECHNICAL INFORMATION



Cat. No.	Operating Voltage	Signal Off Standby Current (Amps)	Signal On Operating Current (Amps)
5533MD-AW	20-31 VDC	0.061	0.400