



VC-MW/B

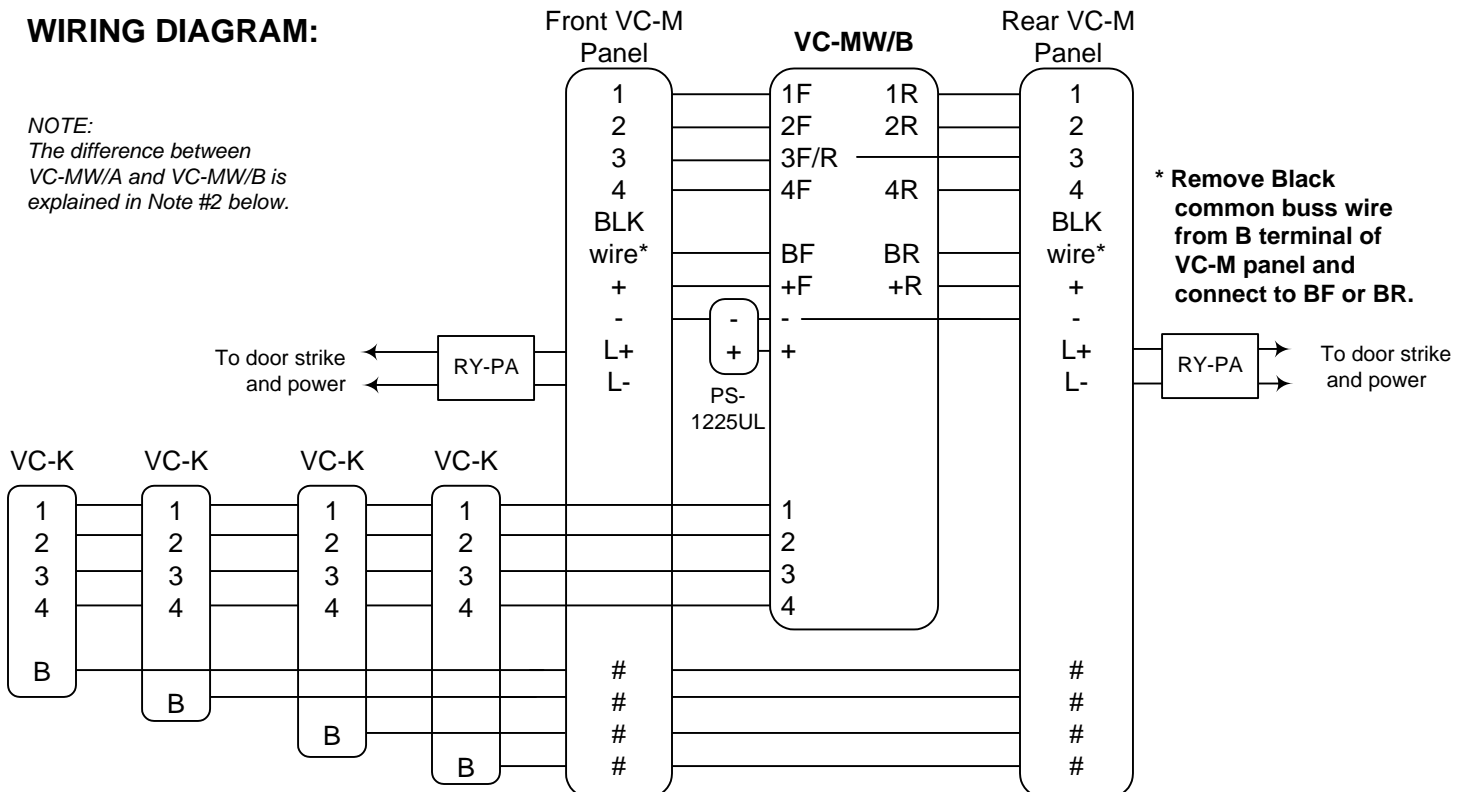
Dual Entrance Adaptor for VC-M

- INSTRUCTIONS -

The VC-MW/B Dual Entrance Adaptor provides selective communication and selective door release for the VC-M Multi-Unit Entry System. Two entrance panels can be used in to call to each tenant location.

WIRING DIAGRAM:

NOTE:
The difference between VC-MW/A and VC-MW/B is explained in Note #2 below.



NOTES:

1. Disconnect wire from B terminal on each VC-M panel and connect to corresponding BF/BR terminal on VC-MW/B.
2. When a call is placed from either entrance station, the communication and door release will be between that station and the tenant station. If any handset in the system is picked up, the communication will be with the entrance station that called last. The communication and door release will be switched to the other entrance when a call is placed from that location.
3. When system is in use, a busy signal will be heard at the other entrance panel if a call is attempted.
4. Directory panel backlighting requires an additional power supply in a system with the VC-MW/B.
5. For complete system instructions, please refer to the standard VC-M Installation Manual included with the equipment.

SPECIFICATIONS:

Power: 12V DC, provided from system power supply (PS-1225UL)
Dimensions: 6-1/4" H x 6" W x 1-3/4" D
Aiphone Communication Systems

VC-MW/B Terminal Definitions:

- 1F~4F Common wires for front VC-M entrance panel
- 1R~4R Common wires for rear VC-M entrance panel
- 3F/R Common wires for both VC-M entrance panels
- +F/+R Power for VC-M entrance panel
- + 12V DC positive (incoming power)
- 12V DC negative (incoming power)
- BF Common call button wire from front VC-M panel
- BR Common call button wire from rear VC-M panel
- 1 Communication from VC-M to VC-K
- 2 Communication from VC-M to VC-K
- 3 Ground
- 4 Door release activation