

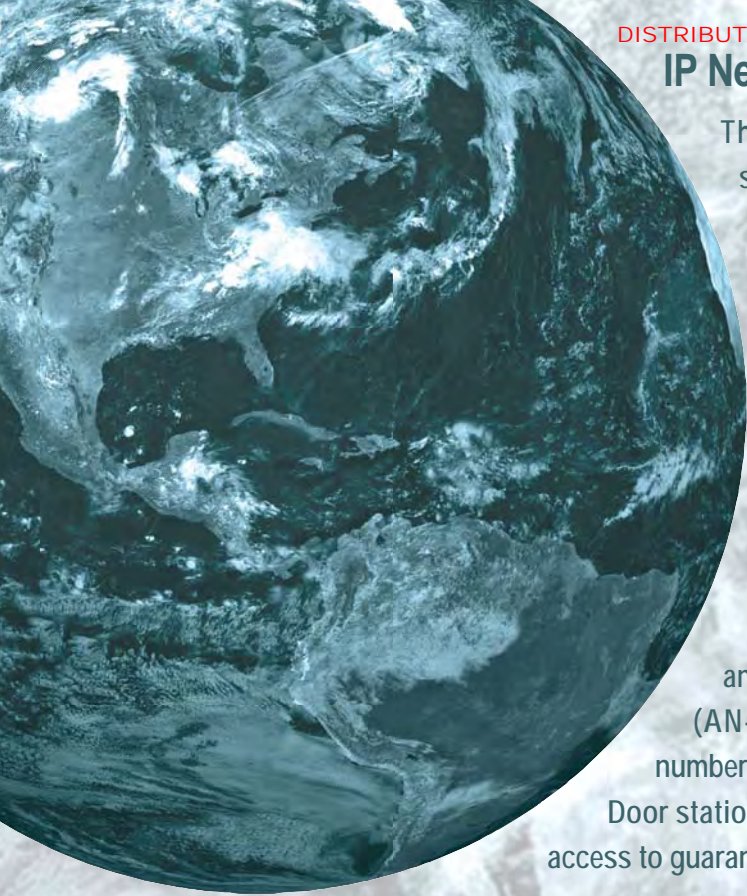


# AN-8000 Series *IP Network Intercom*



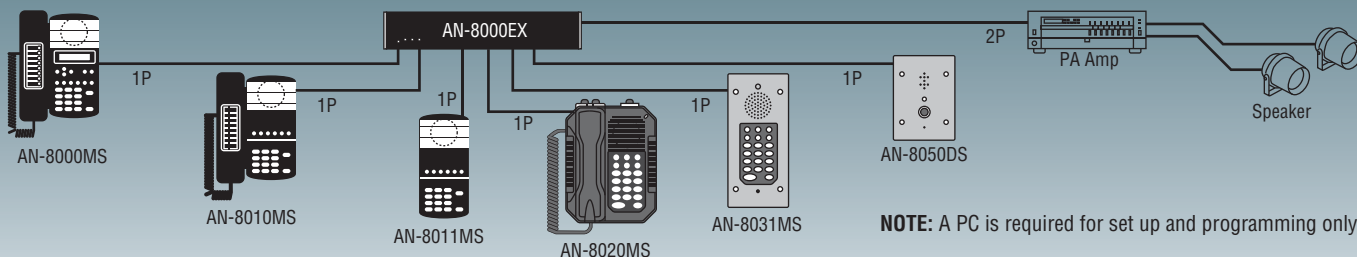
**A World of Security Communication**

## IP Network Compatible Communication System



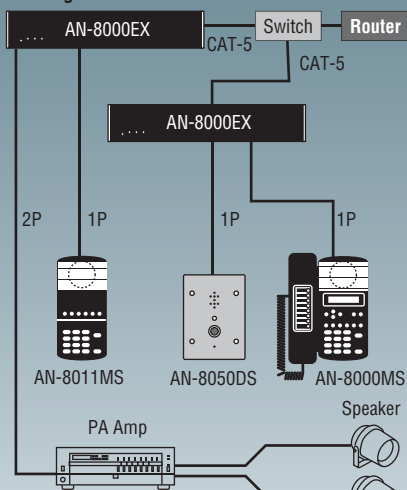
The AN-8000 series is an IP network compatible intercom system employing packet audio technology. Linking up to 80 IP intercom exchanges, multi-interface units, and IP stations to a local or wide area network, the series creates an ideal system that can be utilized for in-house or expanded area information communications. With a system capacity of up to 1280 stations, the AN-8000 series provides an advanced variety of functions for your security requirements. The system's "Echo Cancellation" feature provides hands-free duplex conversations between stations without feedback or clipping. External PA equipment can be integrated to allow for AN-8000 stations to perform paging to any pre-determined locations. Using the multi-interface unit (AN-8000MI) allows routing of multiple BGM inputs to any number of stations, full CCTV call-up, and centralized door release. Door stations also provide local open-collector output for controlled access to guarantee that your security never becomes compromised.

### Basic System: up to 16 stations and 2 outputs for PA paging

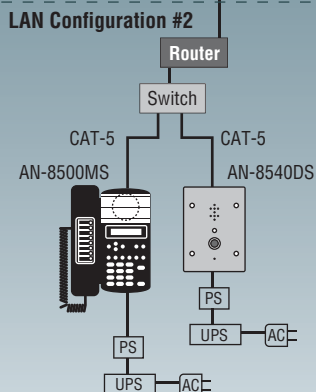


### LAN/WAN IP Network System: connect over Wide Area Network (WAN), up to 80 Exchanges, Multi-Interface Units & IP Stations

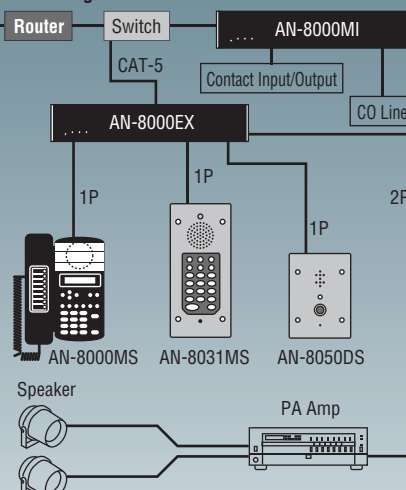
#### LAN Configuration #1



#### LAN / WAN (INTERNET)



#### LAN Configuration #3



**NOTE:** A PC is required for set-up and programming only.

## Master Stations

### AN-8010MS

Standard Handset Master Station



#### Features:

- Hands-free or handset communication
- Keypad for calling
- 5 programmable "one touch" dialing assignments
- Paging
- Door release
- Call transfer

### AN-8000MS

Multifunctional Handset Master Station with LCD display



#### Features -

Same features as AN-8010MS plus...

- LCD display (2 lines of 16 characters)
- External speaker and headset ports
- Limited programming capabilities
- 8 auto-dial buttons

### AN-8011MS

Open Voice Master Station



#### Features:

- Hands-free communication
- Compact size
- Keypad for calling
- 8 function buttons
- Paging
- Door release
- Call transfer

### AN-8020MS

Industrial Master Station



#### Features:

- Heavy-duty design for industrial use and adverse environments
- Hands-free or handset communication
- External speaker port
- Temp. range of -10° C to 50° C
- Dry contacts when call is placed/received
- Keypad for calling
- 8 function buttons

### AN-8031MS

Flush Mount Master Station



#### Features:

- Hands-free communication
- Port for optional RS-191 handset
- Footswitch speed dial inputs
- Keypad for calling
- 8 function buttons
- Flush mount (5-gang)

### AN-8500MS

IP Multifunctional Handset Master Station with LCD display



#### Features -

Same features as AN-8000MS plus...

- Does not require AN-8000EX
- Connects directly to LAN or WAN
- Occupies one network node
- Supports PoE (802.3af)
- External speaker and headset ports
- Limited programming capabilities
- 8 auto-dial buttons

## Door Stations

### AN-8050DS

Flush Mount Door Station



#### Features:

- Indoor use only
- Hands-free full duplex communication
- Flush mount (3-gang)
- IP-54 rated
- Door release open collector output (30VDC, 50mA)

### AN-8050DSW

Flush Mount Door Station



#### Features:

- Weather resistant
- Hands-free full duplex communication
- Flush mount (3-gang)
- IP-54 rated
- Door release open collector output (30VDC, 50mA)

### AN-8540DS

IP Flush Mount Door Station



#### Features:

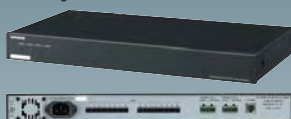
Same features as AN-8050DS plus...

- Does not require AN-8000EX
- Connects directly to LAN or WAN
- Occupies one network node
- Supports PoE (802.3af)
- Door release open collector output (30VDC, 50mA)

## Exchange & Multi-Interface Units

### AN-8000EX

Network Intercom Exchange Unit

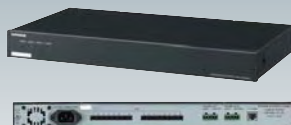


#### Features:

- 16 Stations per exchange
- 2 paging outputs per exchange (0dB, 600Ω)
- 2 paging control outputs per exchange (24VDC, 500mA)
- 10 BASE-T or 100 BASE-TX network connection (RJ45)
- 4 internal and 8 external communication links
- EIA standard rack (1 U) mountable

### AN-8000MI

Multiple Interface Unit



#### Features:

- Two outputs / inputs for audio distribution
- 16 input and output programmable relays
- 2 PBX inputs (E & M interface)
- External equipment control
- Calling station indication / CCTV interlock
- Contact Bridge
- Paging input / output
- Background music input
- EIA standard rack (1 U) mountable

## Options & Accessories



### YC-280

Wall bracket for AN-8000MS, AN-8010MS and AN-8500MS



### RS-191

Handset used with AN-8031MS, wall mount



### YC-290

Wall bracket for AN-8011MS and AN-8020MS

### YS-13A

3-gang surface mount back box for AN-8050DS/8540DS

### YC-150

3-gang flush mount back box for AN-8050DS/8540DS

### YC-241

3-gang flush mount back box for AN-8031MS

### YC-251

3-gang surface mount back box for AN-8031MS

### AD-1210P

12V DC, 1A power supply for IP

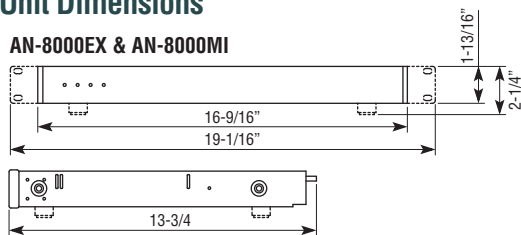
## System Features

- Network-based intercom system consisting of an exchange unit and dedicated master and door stations.
- Single exchange can connect any combination of door and master stations up to 16 units.
- Up to 80 exchanges can be included on a system for a total of 1280 communication devices.
- IP Direct master station (AN-8500MS) and vandal resistant door station (AN-8540DS), connect directly to a LAN/WAN and do not require an exchange unit.
- Efficient method of communicating over local or wide area network using existing infrastructure.
- Full complement of PC Programmable functions and features. Some of them include: Redial, Recall, Auto-dialing, Group Call, Group Searching, Absence transfer, Call Forwarding, Call Hold, and Scan Monitor.
- Automatic echo cancellation prevents clipping and ghosting during hands-free simultaneous conversation.
- Adjustable microphone and speaker levels on all stations for high ambient noise areas.
- Stations incorporate a built-in speaker to allow paging through the units.
- Paging through overhead speaker network using an external amplifier with total broadcast capabilities of up to 160-zones with paging and all-call paging.
- Total system maintenance can be performed off-site using a personal computer with provided software.
- 7kHz\* communication frequency provides better clarity than most telephones.
- System occupies a very low amount of bandwidth.

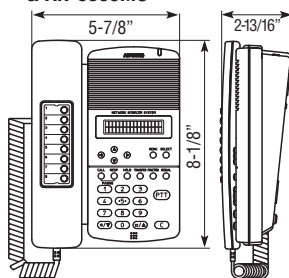
\* network status may cause audio quality to temporarily deteriorate to 3.4 kHz

## Unit Dimensions

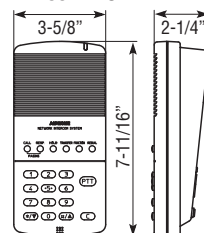
**AN-8000EX & AN-8000MI**



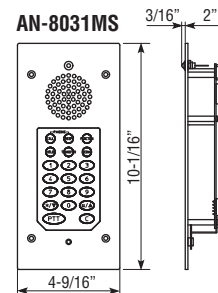
**AN-8000MS, AN-8010MS & AN-8500MS**



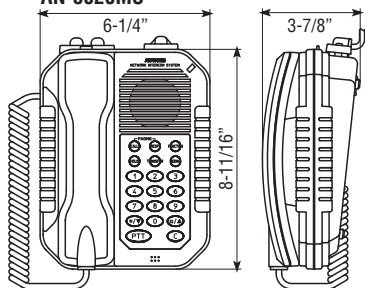
**AN-8011MS**



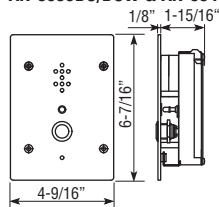
**AN-8031MS**



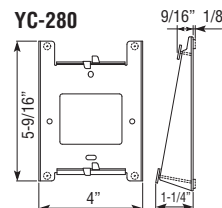
**AN-8020MS**



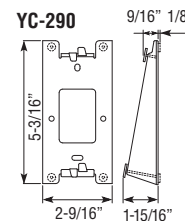
**AN-8050DS/DSW & AN-8540DS**



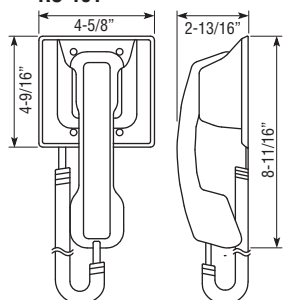
**YC-280**



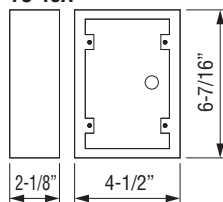
**YC-290**



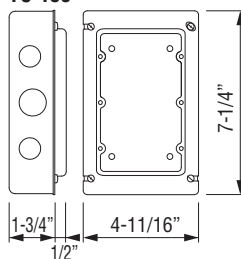
**RS-191**



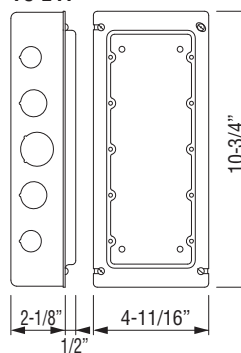
**YS-13A**



**YC-150**



**YC-241**



**YC-251**

