



51XBR XTRA-BRITE™ LED Beacon with Horn



The 51XBR superbright LED signal is a combination audible and visual signal providing two levels of sensory notification. The integrated horn is synchronized with the flashing LED. The units are designed for indoor or outdoor applications and are available in 24V DC or 120V AC. The polycarbonate double fresnel lens is designed to magnify the superbright LED inside, while maintaining a high level of scratch and impact resistance.

The 51XBR cast base can be used as a junction box and allows for surface mounting, mounting on ½" NPT conduit or mounting on a 4" (102mm) octagonal box. A hardware kit is included for direct surface mounting applications. For outdoor applications, the unit must be mounted vertically with the lens facing up.

The 51XBR dual purpose beacon is designed to alert personnel in industrial, commercial, and process settings when an operation is starting or stopping or potentially malfunctioning.

51XBR Features

- Five lens colors
- Audible and flashing visual signal
- 85 dB at 10 feet
- 24V DC or 120V AC
- Operating temperature -31°F to 150°F (-35°C to 66°C)
- cULus listed



Distributed By: Lee Dan Communications, Inc.
www.leedan.com info@leedan.com 1-800-231-1414

Data Sheet ES001-2006 Issue 1
Not to be used for installation purposes.
Page 1 of 2

51XBR XTRA-BRITE™ LED Beacon with Horn

Description	Cat. No.	Operating Voltage	Current	Lens Color	Median LED Life (L70)**	Replacement		
						Lens	Horn	Flasher
Combination flashing LEDs with horns	51XBRFA120A	120V AC, 50/60 Hz	0.175A	Amber	148,000 hours	92-LA	123A-N5	P-041917-0026
	51XBRFB120A	120V AC, 50/60 Hz	0.175A	Blue	148,000 hours	92-LB	123A-N5	P-041917-0026
	51XBRFG120A	120V AC, 50/60 Hz	0.175A	Green	148,000 hours	92-LG	123A-N5	P-041917-0026
	51XBRFR120A	120V AC, 50/60 Hz	0.175A	Red	148,000 hours	92-LR	123A-N5	P-041917-0026
	51XBRFW120A	120V AC, 50/60 Hz	0.175A	White	148,000 hours	92-LW	123A-N5	P-041917-0026
	51XBRFA24D	24V DC	0.275A	Amber	148,000 hours	92-LA	118-G1	P-041917-0028
	51XBRFB24D	24V DC	0.275A	Blue	148,000 hours	92-LB	118-G1	P-041917-0028
	51XBRFG24D	24V DC	0.275A	Green	148,000 hours	92-LG	118-G1	P-041917-0028
	51XBRFR24D	24V DC	0.275A	Red	148,000 hours	92-LR	118-G1	P-041917-0028
	51XBRFW24D	24V DC	0.275A	White	148,000 hours	92-LW	118-G1	P-041917-0028

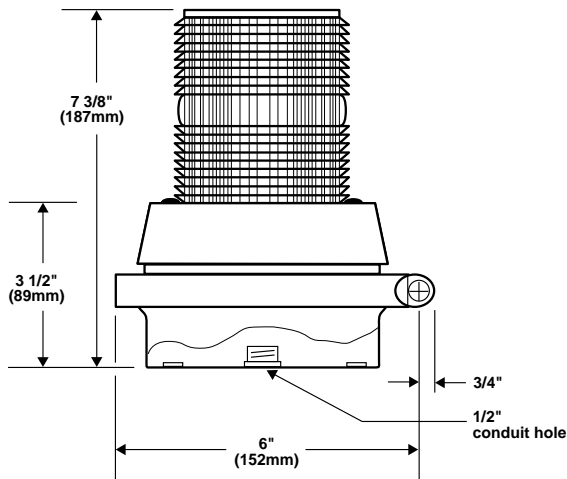
**Based on LED manufacturer's projections. Refer to <http://www.philipslumileds.com/pdfs/WP15.pdf>.

Signal Input Load Characteristics

Cat. No.	Operating Voltage	Max. Off State Leakage Current (mA)	Continuous On Current (mA)	Surge (inrush / duration)
51XBRF*120A	120V AC 50/60 Hz	10	175	50 A / 260 μ s
51XBRF*24D	24V DC	10	275	10 A / 120 μ s

*Letter in this position designates lens color: A - amber, B - blue, G - green, R - red, or W - white

Dimensional Drawing



Distributed By:
Lee Dan Communications, Inc.
www.leedan.com info@leedan.com
1-800-231-1414

