

LED Wall Clock

*Synchronized time
in a clock system*

1900MS12-24

www.leedan.com info@leedan.com Toll-Free: 800-231-1414

FEATURES

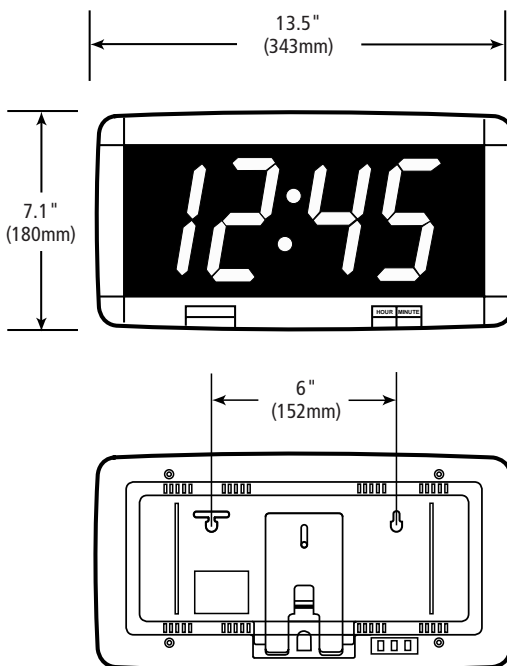
- > Built-in serial interface for networking & time synchronization in a clock system
Field selectable 12 or 24 hour format
- > Hour and minute display
100,000 hour LED lamp technology
Two week memory retention
Viewable from 200 ft.

The Edwards 1900MS12-24 is an accurate long-life LED time display piece that can be operated in a synchronized clock system. It reports time in 12 hour or 24 hour formats with hour and minute that may be dimmed at the flick of a switch. An 18 foot cord is connected to a Class 2 transformer which plugs into a standard wall outlet. For indoor operation only.

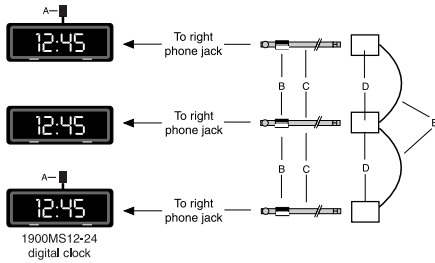
The units may be wall mounted indoors in temperatures of 32° - 120°F (0° - 49°C). Designed for indoor display of time by hour and minute in 12 hour or 24 hour formats

UL Listed and CSA Certified Class 2 transformer

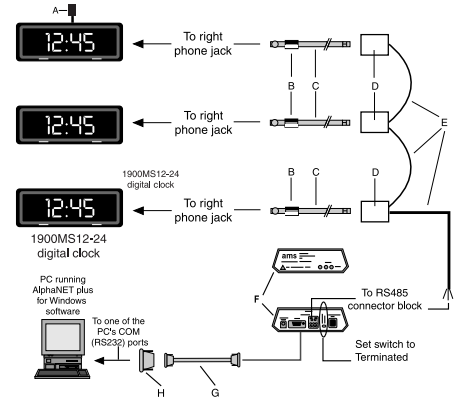
4" (10 mm) character height
Master/Satellite field selectable
Two levels of brightness



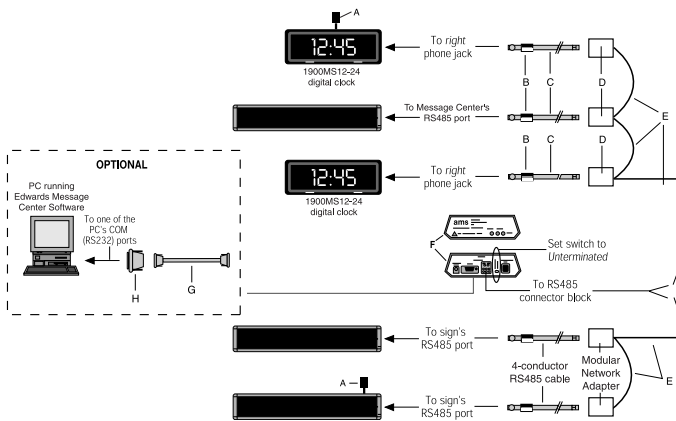
Connecting Multiple Clocks without a PC (Note 1)



Connecting Multiple Clocks to a Cabled PC Network



Connecting Multiple Clocks & Signs to a Cabled PC Network (Note 2)



NOTES

1. When connecting multiple clocks without a PC, one clock must be set to Master and the rest to SATELLITE.
2. When connected to a PC cabled network, one clock should still be set to Master and the rest to SATELLITE. When a message is sent from the PC, all clocks will be updated and will continue to run synchronized with the clock set to MASTER.

Ref.	Cat. No.	Description
A	MCN485EOLTCB	End-of-line (EOL) terminator. An EOL must be plugged into the RS232 or TTL plug on the last sign.
B	—	Ferrite (ferrite end towards sign)
C	MCN485-RJ11-8	8-foot, 4-conductor RS485 cable
	MCN485-RJ11-1	1-foot, 4-conductor RS485 cable
D	MCNMMNARJ11485	Modular Network Adapter
E	MCN485-1000	RS485 cable, 1000 foot spool
	MCN485-100	RS485 cable, 100 foot spool
F	MCN485CB2EOLT	Converter box with 2 EOL terminators
G	MCN485CB2323A9	10-foot, 9-to-9 pin, type "A9" RS232 cable
H	—	Serial port DB25-to-DB9 RS232 adapter (may be required by your computer)
	MCN485MODCB	10-foot, 25-pin-to-9-pin, type "B9" RS232 cable
	MCN485CBAC	Converter box adapter, 120V input, 9V output
	MCN485NRB	Network repeater box
	MCN485BB-8	8-foot RS485 cable for back-to-back configurations