



AdaptaBeacon[®] Electronic Horn/Strobe

Outdoor, Surface Mount

868STR Series

FEATURES

- > Low current draw
- > High dB output
- > Terminals for easy wiring
- > Gray flame resistant housing
- > Five lens colors
- > 150 candela strobe (clear lens)
- > Complete with gasket and weatherproof surface back box
- > Engineered thermoplastic housing
- > 1,000 hour strobe tube

AGENCY APPROVALS

- > Strobe - UL 1638 Listed
- Horn - UL 464 Listed

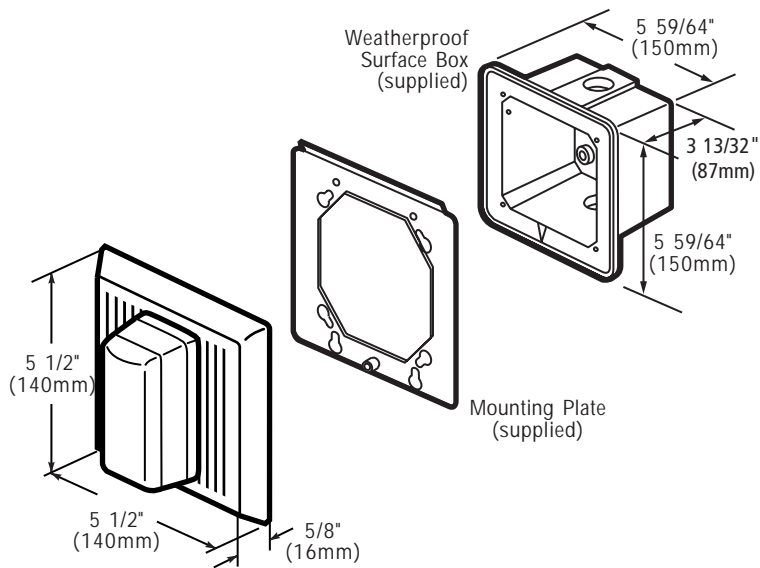
www.leedan.com info@leedan.com Toll-Free: 800-231-1414

The Edwards 868STR AdaptaBeacon series is a bright, low current, high decibel, surface mount, combination electronic horn/strobe for indoor or outdoor use. It has been designed for mounting with the supplied back box. Strobe and horn may be operated independently.

The 868STR mounts to the gray, corrosion resistant weatherproof surface box supplied with the unit. The box measures 5 59/64" (150mm) square by 3 13/32" (87mm) deep.

The 868STR AdaptaBeacon is for outdoor wall mounting in manufacturing sites. Used where a distinctive visual or audible signal is required for timing, scheduling, paging, process control, and general alarm applications.

TECHNICAL INFORMATION



Catalog Number	868STR(*)-N5	868STR(*)-AQ	
Operating Voltage**	120V AC	24V AC	24V DC
Operating Current - Horn***	21 mA	60 mA	20 mA
Operating Current - Strobe***	90 mA (RMS)	158 mA (RMS)	219 mA (AVG)
Operating Environment	Indoor: 85% relative humidity at 86F (30C); 32F to 120F (0 to 49C) variable ambient Outdoor: 95% relative humidity at 86F (30C); -31F to 150F (-35C to 66C) variable ambient		
Strobe Flash Rate	1 flash per second		
Sound Level Output	90 dBA at 10 ft. (3.05 m) in an Anechoic Chamber		
Mounting	Indoor Surface Mount		
Light Output UL 1638	Clear Lens - 150 cd Amber Lens - 90 cd Green Lens - 70 cd Red Lens - 21 cd Blue Lens - 20 cd		

*Insert lens color: C - clear, R - red, G - green, B - blue or A - amber

**Operating voltage: -20% to +10% of nominal voltage

***Horn and strobe currents are additive when connected in parallel.

www.leedan.com info@leedan.com Toll-Free: 800-231-1414