



AdaptaBeacon® Steady-On Incandescent Light

PLC Compatible
NEMA Type 4X

48SIN Series

FEATURES

- > Weatherproof
- > 25W Halogen lamp in 120V AC Model; 20W Halogen lamp in 24V AC and 24V DC Models
- > Snap-on high impact polycarbonate/ABS base
- > Shatter resistant polycarbonate lens

AGENCY APPROVALS

- > UL 1638 Listed
- > UL Listed NEMA Type 4X enclosure
- > cUL Listed

www.leedan.com info@leedan.com Toll-Free: 800-231-1414

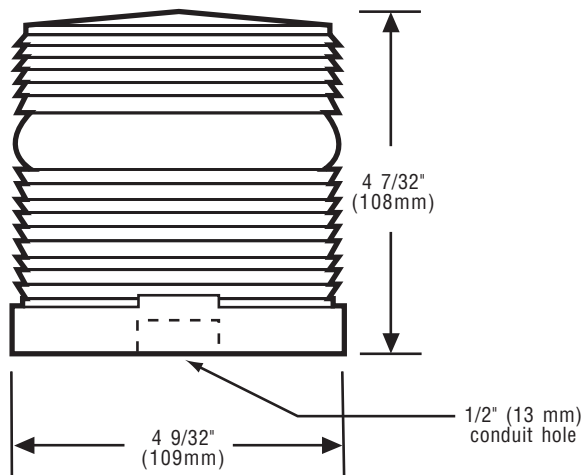
The Edwards 48SIN Series AdaptaBeacon steady-on lights are designed to meet continuous visual signaling requirements. The unique double fresnel lens has been optically engineered to maximize brilliance. This is accomplished with a series of complementing fresnels that cause the dome to "fill" when the light is operating. Beam distance is also increased with fresnel lenses. And, with no moving parts, the lights are immune to shock and vibration. The incandescent lights are available in six colors: red, amber, blue, green, magenta, and clear.

Designed for indoor or outdoor installation. The lights may be direct or 1/2" (13mm) conduit mounted on any plane. However, vertical installation ensures maximum beam width projection. For weatherproof installations units must be mounted vertically with dome up. Use Cat. No. GSK-KIT gasket kit for weatherproof surface installation of AC models. May be corner mounted indoors using the Cat. No. CBR, corner mount bracket, or wall mounted indoors using the Cat. No. WBR, wall mount bracket. See AdaptaBeacon Accessories, page 3-118.

Ideally suited for applications where a continuous steady-on incandescent light signal is required or where ambient noise makes audible signals difficult to hear. The 48SIN is used where multiple, smaller, stand-alone visual signals are required. The gasketed NEMA 4X enclosure ensures installation acceptability in most industrial and commercial locations.

TECHNICAL INFORMATION

Use Cat. No. GSK-KIT gasket kit for weatherproof surface mount installation on AC units



Light Source Cat. No.	Lens Color	Replacement Lens	Lamp Ratings	Electrical Ratings	Replacement Lamp
48SINR-N5-25WH	Red	96-LR	25 Watts	120V 50/60 Hz 0.20 Amps	50LMP-25WH or Industry Trade No. 25T8DC
48SINA-N5-25WH	Amber	96-LA	175 Lumens*		
48SINB-N5-25WH	Blue	96-LB	2198 candlepower		
48SING-N5-25WH	Green	96-LG	20,000 hr.**		
48SINM-N5-25WH	Magenta	96-LM			
48SINC-N5-25WH	Clear	96-LC			
48SINR-G5-20WH	Red	96-LR	20 Watts	24V 50/60 Hz .80 Amps	50LMP-20WH or Industry Trade No. 1692
48SINA-G5-20WH	Amber	96-LA	226 Lumens*		
48SINB-G5-20WH	Blue	96-LB	2839 candlepower		
48SING-G5-20WH	Green	96-LG	20,000 hr.**		
48SINM-G5-20WH	Magenta	96-LM			
48SINC-G5-20WH	Clear	96-LC			
48SINR-E1	Red	96-LR	15 Watts	12V DC 1.0 Amps	Industry Trade No. 94
48SINA-E1	Amber	96-LA	189 Lumens*		
48SINB-E1	Blue	96-LB	2374 candlepower		
48SING-E1	Green	96-LG	1,520 hr.**		
48SINM-E1	Magenta	96-LM			
48SINC-E1	Clear	96-LC			
48SINR-G1-20WH	Red	96-LR	20 Watts	24V DC .80 Amps	50LMP-20WH or Industry Trade No. 1692
48SINA-G1-20WH	Amber	96-LA	226 Lumens*		
48SINB-G1-20WH	Blue	96-LB	2839 candlepower		
48SING-G1-20WH	Green	96-LG	20,000 hr.**		
48SINM-G1-20WH	Magenta	96-LM			
48SINC-G1-20WH	Clear	96-LC			

*Bulb manufacturer's Lumen rating.

**Projected lamp life based on manufacturer's calculated lamp life at 65 fpm and 50% duty cycle.

SIGNAL INPUT LOAD CHARACTERISTICS*

Cat. No.	Operating Voltage	Max. off state leakage current (mA)	Continuous on Current (mA)	Surge (inrush/duration) Amps/milliseconds
48SIN(-)-G1-20WH	24V DC	25	800	.9/1
48SIN(-)-N5-25WH	120V AC 60 Hz	25	200	.8/8

*This device is PLC compatible and may be operated by PLCs with output characteristics that match the input load requirements of this signal.

www.leedan.com info@leedan.com Toll-Free: 800-231-1414