



AdaptaBeacon® Flashing Incandescent Lights

**PLC Compatible
NEMA Type 4X**

48FIN Series

FEATURES

- > Weatherproof
- > 25W Halogen lamp in 120V AC Model; 20W Halogen lamp in 24V AC and 24V DC Models
- > Snap-on high impact polycarbonate/ABS base
- > Shatter resistant polycarbonate lens

AGENCY APPROVALS

- > UL 1638 Listed
- > UL Listed NEMA Type 4X enclosure
- > cUL Listed

www.leedan.com info@leedan.com Toll-Free: 800-231-1414

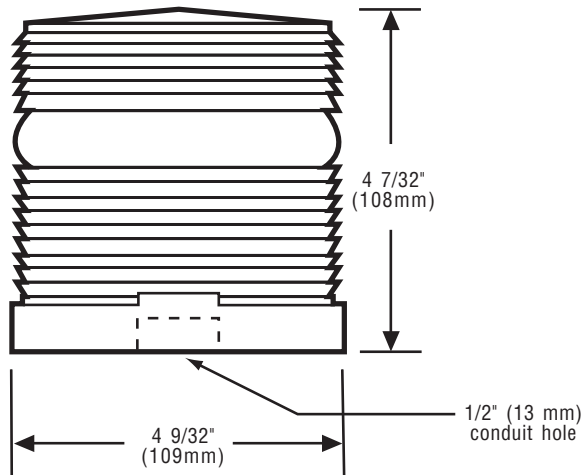
The Edwards 48 Series AdaptaBeacon flashing lights incorporate a unique double fresnel lens that has been optically engineered to maximize brilliance. This is accomplished with a series of complementing fresnels that cause the dome to "fill" when the light is operating. Beam distance is also increased with fresnel lenses. The incandescent lights are available in six colors: red, amber, blue, green, magenta, and clear.

Designed for indoor or outdoor installation. May be direct or 1/2" (13mm) conduit mounted. For weatherproof installation, units must be mounted vertically with the lens facing up. Use Cat. No. GSK-KIT gasket kit for weatherproof surface installation of AC models. May be corner mounted indoors using the Cat. No. CBR, corner mount bracket, or wall mounted indoors using the Cat. No. WBR, wall mount bracket. See Adaptabeacon Accessories.

Edwards flashing lights are particularly effective in high noise level areas, especially where ear protection must be worn and audible signals may not be heard or understood. They can advise personnel in manufacturing and process areas when an operation is starting or stopping. Often used to signal malfunctions in equipment, such as assembly line jams. Can warn personnel that they are entering a restricted area or an area of high danger. May be used where a smaller light output is desired or where many multiple smaller flashing lights are specified. The gasketed NEMA 4X enclosure ensures installation acceptability in most industrial and commercial locations.

TECHNICAL INFORMATION

Use Cat. No. GSK-KIT gasket kit for weatherproof surface mount installation on AC units



Cat. No.	Lens Color	Replacement Lens	Lamp Ratings	Replacement Flasher	Electrical Ratings	Replacement Lamp
48FINR-N5-25WH	Red	96-LR	25 watts	P-041917-0026	120V 50/60 Hz	50LMP-25WH
48FINA-N5-25WH	Amber	96-LA	175 Lumens*		0.20 Amps	or
48FINB-N5-25WH	Blue	96-LB	2198 candlepower			Ind. Trade
48FING-N5-25WH	Green	96-LG	25,000 hr.**			No. 25T8DC
48FINM-N5-25WH	Magenta	96-LM				
48FINC-N5-25WH	Clear	96-LC				
48FINR-G5-20WH	Red	96-LR	20 Watts	P-041917-0029	24V 50/60 Hz	50LMP-20WH
48FINA-G5-20WH	Amber	96-LA	226 Lumens*		0.80 Amps	or
48FINB-G5-20WH	Blue	96-LB	2839 candlepower			Ind. Trade
48FING-G5-20WH	Green	96-LG	25,000 hr.**			No. 1692
48FINM-G5-20WH	Magenta	96-LM				
48FINC-G5-20WH	Clear	96-LR				
48FINR-E1	Red	96-LR	13 watts	P-041917-0028	12V DC	Ind. Trade
48FINA-E1	Amber	96-LA	189 Lumens*		1.0 Amps	No. 94
48FINB-E1	Blue	96-LB	2374 candlepower			
48FING-E1	Green	96-LG	1,520 hr.**			
48FINM-E1	Magenta	96-LM				
48FINC-E1	Clear	96-LC				
48FINR-G1-20WH	Red	96-LR	20 watts	P-041917-0029	24V DC	50LMP-20WH
48FINA-G1-20WH	Amber	96-LA	226 Lumens*		0.80 Amps	or
48FINB-G1-20WH	Blue	96-LB	2839 candlepower			Ind. Trade
48FING-G1-20WH	Green	96-LG	25,000 hr.**			No. 1692
48FINM-G1-20WH	Magenta	96-LM				
48FINC-G1-20WH	Clear	96-LC				

*Bulb manufacturer's lumen rating.

**Projected lamp life based on manufacturer's calculated lamp life at 65 fpm and 50% duty cycle.

SIGNAL INPUT LOAD CHARACTERISTICS*

Cat. No.	Operating Voltage	Max. off state leakage current (mA)	Continuous on Current (mA)	Surge (inrush/duration) Amps/milliseconds
48FIN(-)G1-20WH	24V DC	25	800	2.2/100
48FIN(-)N5-25WH	120V AC 60 Hz	25	200	1.3/8

*This device is PLC compatible and may be operated by PLCs with output characteristics that match the input load requirements of this signal.