



# AdaptaBeacon® Division 2 Strobes

## *Marine Rated Models*

### 107DV2(†)ST Series

[www.leedan.com](http://www.leedan.com) [info@leedan.com](mailto:info@leedan.com) Toll-Free: 800-231-1414

#### FEATURES

- > Bracket, Ceiling or Pendant Mount
- > High impact glass dome
- > Dome guard (optional)
- > 65 flashes per minute

#### AGENCY APPROVALS

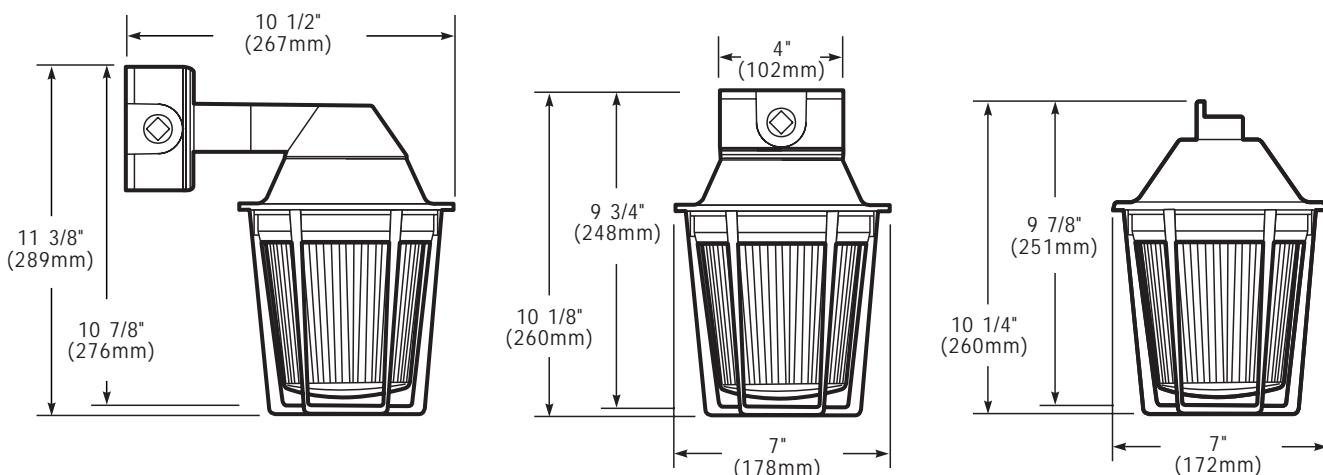
- > UL 1638 and 1604 Listed
- > cUL Listed C22.2 No. 205
- > NEMA Type 3R & Type 4 Rated
- > Marine UL 595 Listed Category UXUB (120V AC, 240V AC, 250V DC models)
- > Marine UL 1598A Listed (120V AC, 240V AC and 250V DC models)

Edwards AdaptaBeacon Strobe Lights are designed for installation in Division 2 environments. Rigid specifications and state-of-the-art technology provide for high visual output and low maintenance. The units are UL Listed for Type 3R and Type 4 installations. The 120V AC, 240V AC and 250V DC models are Marine Rated. Models are available for pendant, wall and ceiling mounting.

Designed for bracket hazardous location installation on a 4" (102mm) square mounting box. May be mounted in any orientation.

Typical industrial and commercial applications include: food processing plants, refineries, mines, tankers, laboratories, sewage treatment plants, water and filtration plants, and chemical plants.

# TECHNICAL INFORMATION



Cat. No.	Mounting	Electrical Rating	Current	Replacement Dome	Optional Dome Guard	Replacement Strobe Tube	Peak Candlepower
107DV2BST*-N5	Bracket	120V 60 Hz	0.1A	EDCJGL175	EDCJGU15	92-ST 3,000 hr. **	800,000
107DV2BST*-R5		240V 60 Hz	0.05A				
107DV2BST*-EK		12 - 48V DC	1.2A				
107DV2BST*-S1		250V DC	0.1A				
107DV2CST*-N5	Ceiling	120V 60 Hz	0.1A	EDCJGL175	EDCJGU15	92-ST 3,000 hr. **	800,000
107DV2CST*-R5		240V 60 Hz	0.05A				
107DV2CST*-EK		12 - 48V DC	1.2A				
107DV2CST*-S1		250V DC	0.1A				
107DV2PST*-N5	Pendant	120V 60 Hz	0.1A	EDCJGL175	EDCJGU15	92-ST 3,000 hr. **	800,000
107DV2PST*-R5		240V 60 Hz	0.05A				
107DV2PST*-EK		12 - 48V DC	1.2A				
107DV2PST*-S1		250V DC	0.1A				

\*Letter in this position denotes color of the globe: A - amber, B - blue, C - clear, G - green, R - red or M - magenta.

\*\*Calculated at operating power to 75% efficiency.

## HAZARDOUS LOCATION LISTINGS

Class	Division	Group	Ambient Temperature	Operating Temperature Code
I	2	A,B,C,D	104F (40C) 131F (55C) 149F (65C)	T2 (300C, 572F) T1 (450C, 842F) T1 (450C, 842F)
II***	1 and 2***		104F (40C)	T4A (120C, 248F)
III***	1 and 2***		131F (55C) 149F (65C)	T4 (135C, 275F) T3C (160C, 320F)

\*\*\*Pendant mount models only. Pendant mount models are also listed for use in Class II, Division 1, Groups E, F and G, Class II, Division 2, Groups F and G and Class III, Division 1 and 2 hazardous locations.

[www.leedan.com](http://www.leedan.com) [info@leedan.com](mailto:info@leedan.com) Toll-Free: 800-231-1414